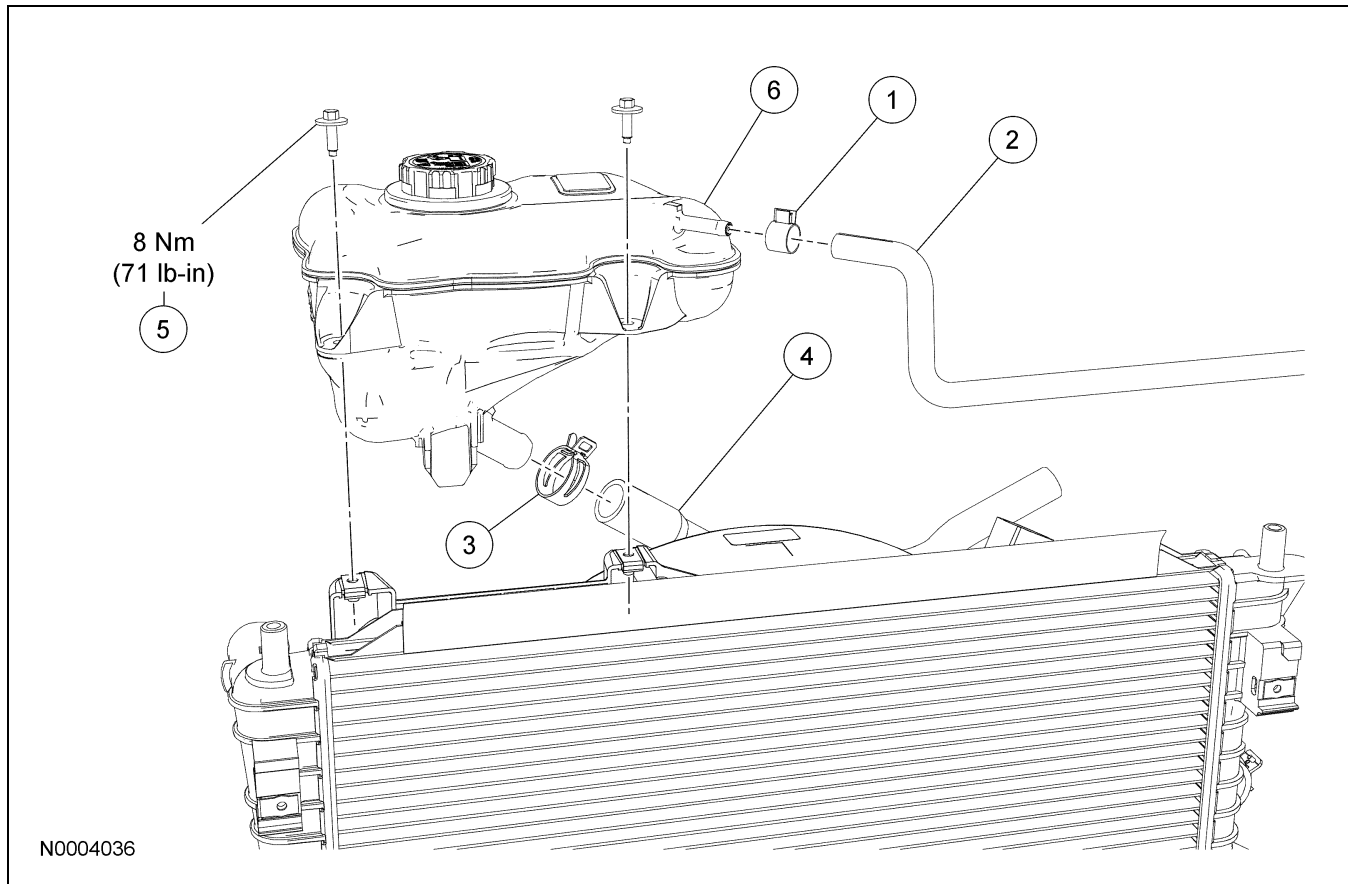


REMOVAL AND INSTALLATION

Degas Bottle



Item	Part Number	Description
1	W527383	Upper degas bottle hose clamp
2	8C633	Upper degas bottle hose
3	15161	Lower degas bottle hose clamp
4	8C350	Lower degas bottle hose
5	W503924	Degas bottle bolt (2 required)
6	8A080	Degas bottle

Removal and Installation

1. Drain the cooling system. For additional information, refer to Cooling System Draining, Filling and Bleeding in this section.
2. Disconnect the upper degas bottle hose and position aside.
3. Disconnect the lower degas bottle hose and position aside.
4. Remove the 2 degas bottle bolts and the degas bottle.
 - To install, tighten to 8 Nm (71 lb-in).
5. To install, reverse the removal procedure.
6. Fill and bleed the cooling system. For additional information, refer to Cooling System Draining, Filling and Bleeding in this section.