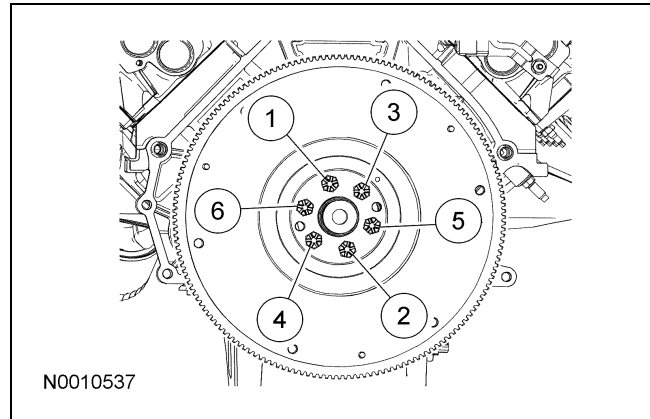


## IN-VEHICLE REPAIR

### Flywheel

#### Removal and Installation

1. Remove the clutch. For additional information, refer to Section 308-01.
2. Remove the 6 bolts and the flywheel.
  - To install, tighten to 80 Nm (59 lb-ft) in the sequence shown.



3. To install, reverse the removal procedure.