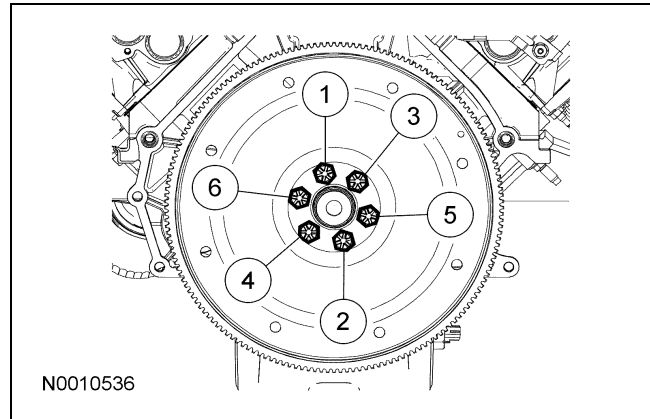


IN-VEHICLE REPAIR

Flexplate

Removal and Installation

1. Remove the transmission. For additional information, refer to Section 307-01.
2. Remove the 6 bolts and the flexplate.
 - To install, tighten to 80 Nm (59 lb-ft) in the sequence shown.



3. To install, reverse the removal procedure.