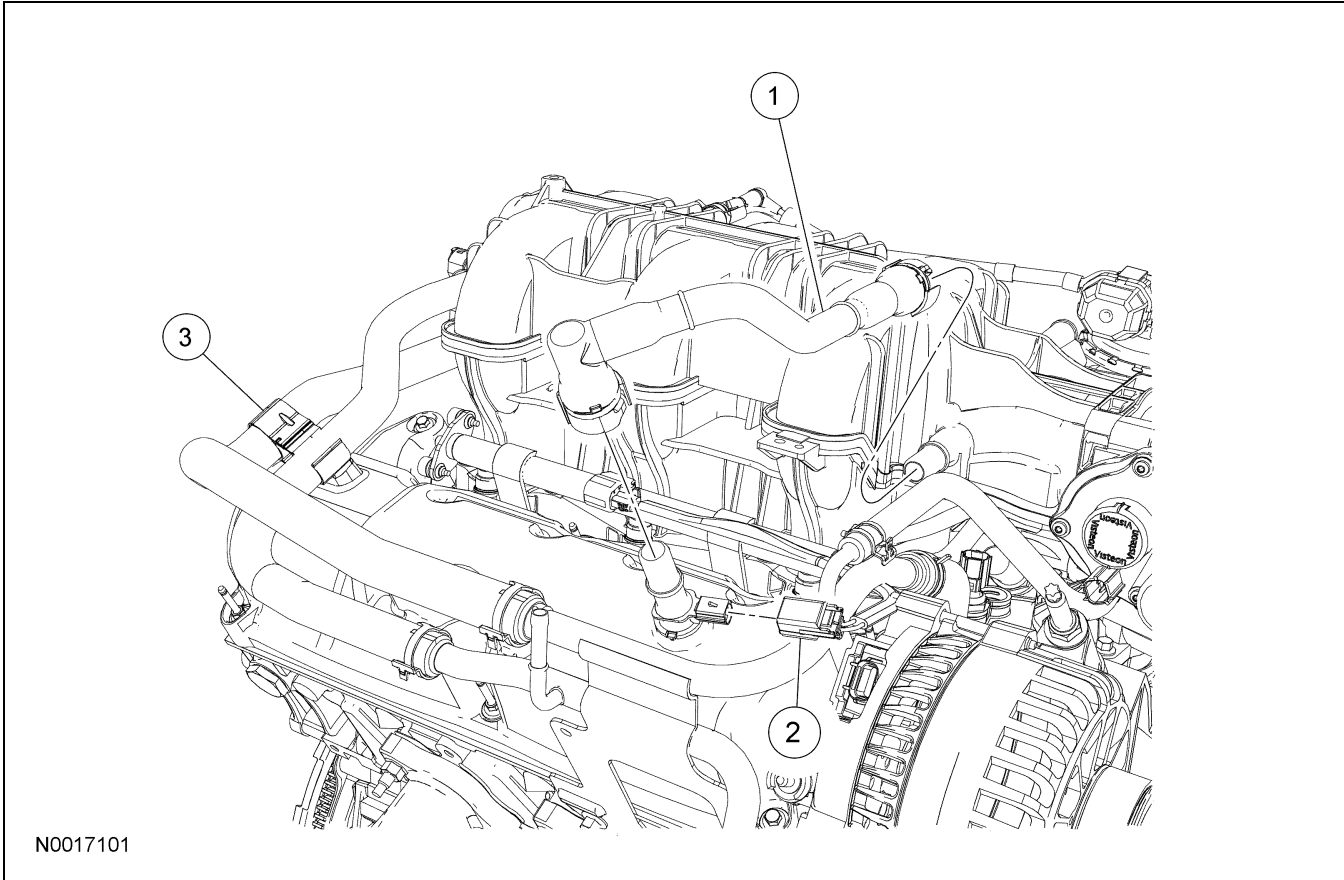


IN-VEHICLE REPAIR

Valve Cover — RH

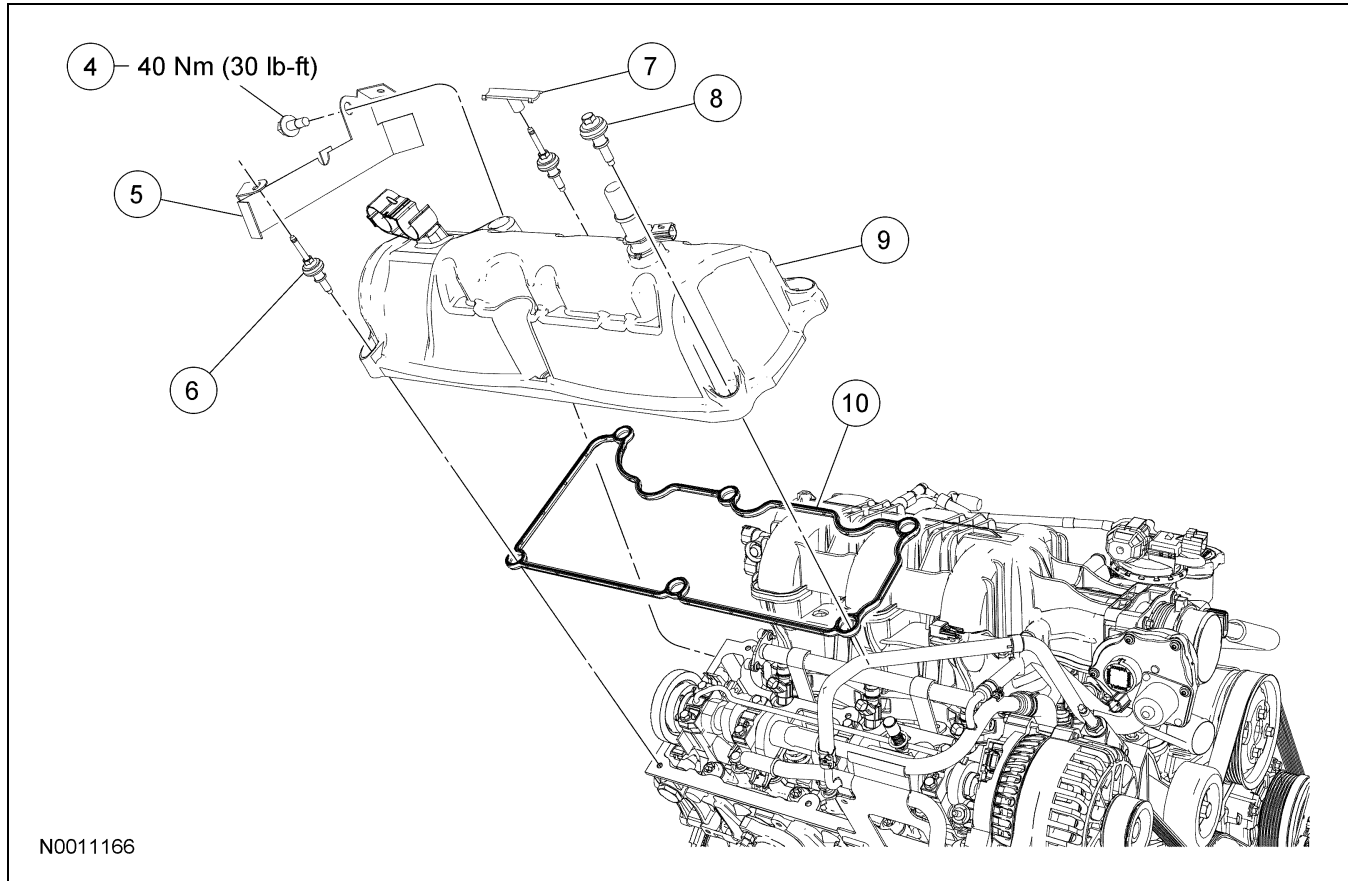
Material

Item	Specification
Motorcraft Metal Surface Prep ZC-31	—



Item	Part Number	Description
1	6K817	Positive crankcase ventilation (PCV) tube
2	—	PCV valve electrical connector (part of 12A580)
3	8W287	Heater hose retainer bracket

IN-VEHICLE REPAIR (Continued)



N0011166

Item	Part Number	Description
4	W506031	Wiring harness bracket bolt
5	14536	Wiring harness bracket (part of 12B637)
6	6C519	RH valve cover stud bolt (4 required)
7	13A506	Wiring retainer (part of 12B637)
8	6C519	RH valve cover bolt (2 required)
9	6582	RH valve cover assembly
10	6584	RH valve cover gasket

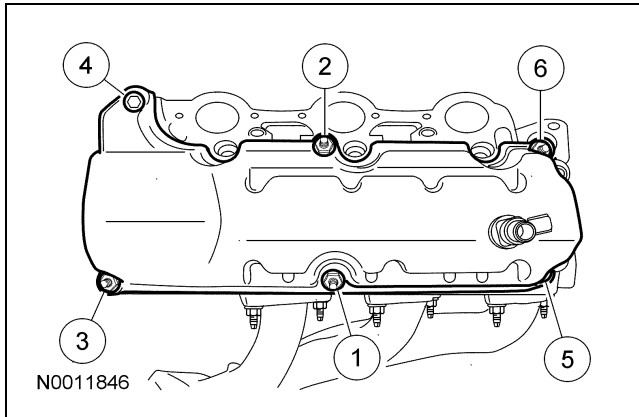
Removal

⚠ CAUTION: During engine repair procedures, cleanliness is extremely important. Any foreign material, including any material created while cleaning gasket surfaces that enters the oil passages, coolant passages or the oil pan, can cause engine failure.

1. Disconnect the battery ground cable. For additional information, refer to Section 414-01.
2. Remove the positive crankcase ventilation (PCV) tube.
3. Disconnect the PCV valve electrical connector.
4. Detach the heater hose retainer from the valve cover.
5. Remove the wiring harness bracket bolt from the back of the RH cylinder head and detach the bracket from the valve cover stud bolt.
6. Detach the engine wiring and spark plug wiring retainers from the 2 valve cover stud bolts.
7. Remove the 2 bolts, the 4 stud bolts and the RH valve cover.

IN-VEHICLE REPAIR (Continued)**Installation**

1. **NOTE:** Clean the valve cover and cylinder head sealing surfaces with metal surface prep. Inspect and install a new gasket as necessary.
Position the RH valve cover and install the 2 bolts and the 4 stud bolts.
 - Tighten in the sequence shown to 10 Nm (89 lb-in).



2. Attach the engine wiring and spark plug wiring retainers to the 2 valve cover stud bolts.
3. Position the wiring harness bracket on the valve cover stud bolt and install the wiring harness bracket bolt to the back of the RH cylinder head.
 - Tighten to 40 Nm (30 lb-ft).
4. Attach the heater hose retainer to the valve cover.
5. Connect the PCV valve electrical connector.
6. Install the PCV tube.
7. Connect the battery ground cable. For additional information, refer to Section 414-01.