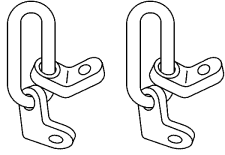
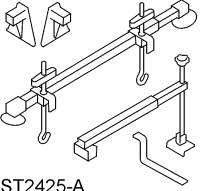
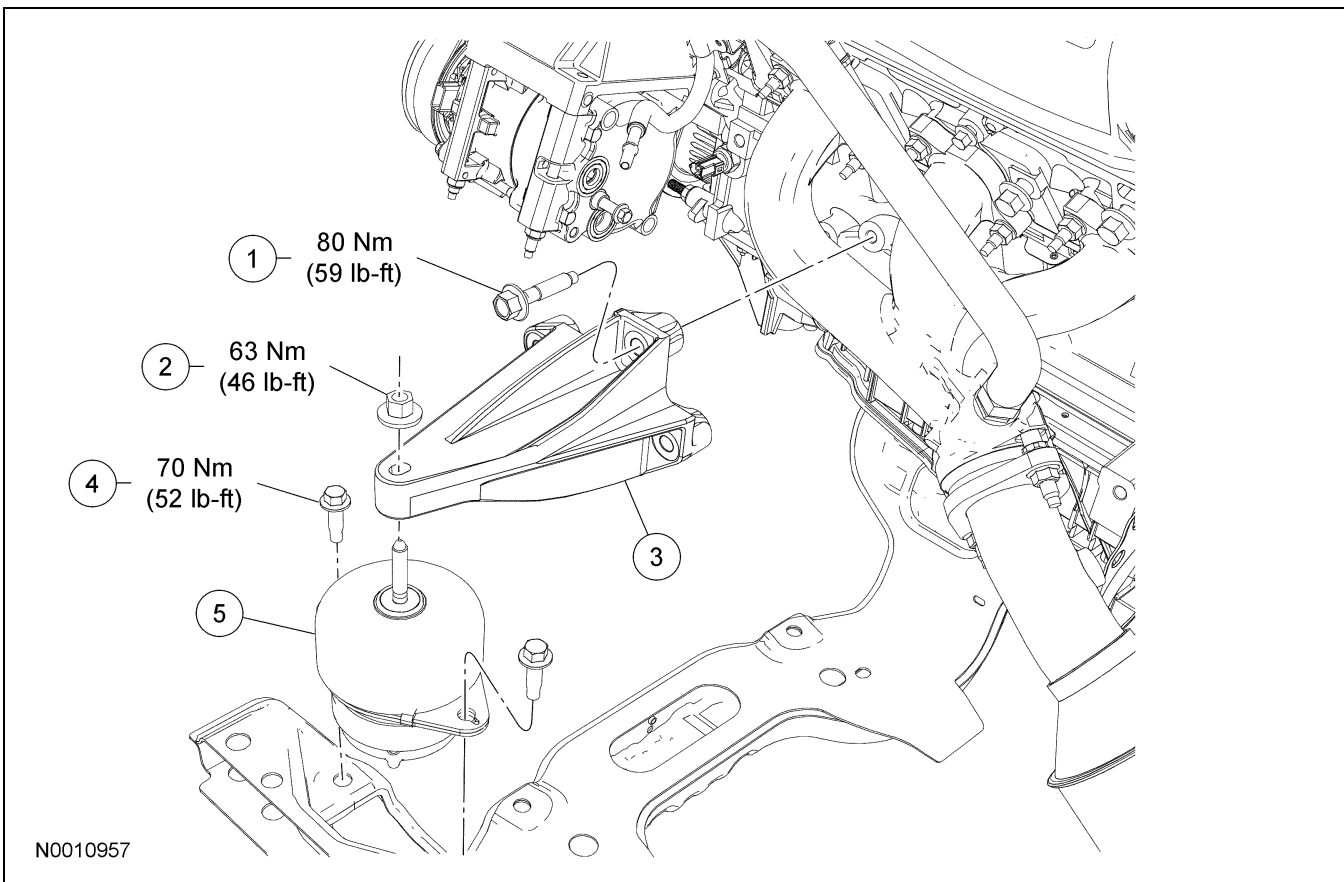


IN-VEHICLE REPAIR

Engine Mount — LH

Special Tool(s)

 <p>ST1595-A</p>	<p>Lifting Bracket, Engine 303-050 (D70P-6000) or equivalent</p>
 <p>ST2425-A</p>	<p>3-Bar Engine Support Kit 303-F072</p>

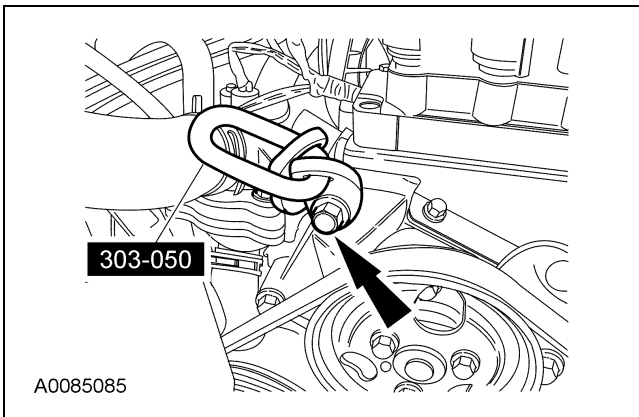


IN-VEHICLE REPAIR (Continued)

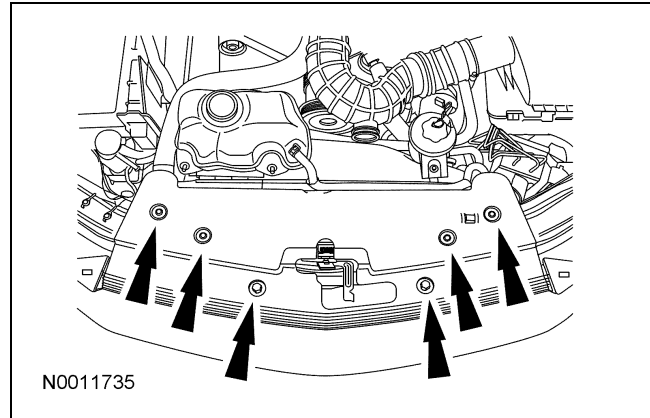
Item	Part Number	Description
1	W710565	LH engine mount bracket bolt (3 required)
2	N621943	LH engine mount bracket-to-engine mount nut
3	6B033	LH engine mount bracket
4	W707641	LH engine mount bolt (2 required)
5	6038	LH engine mount

Removal and Installation

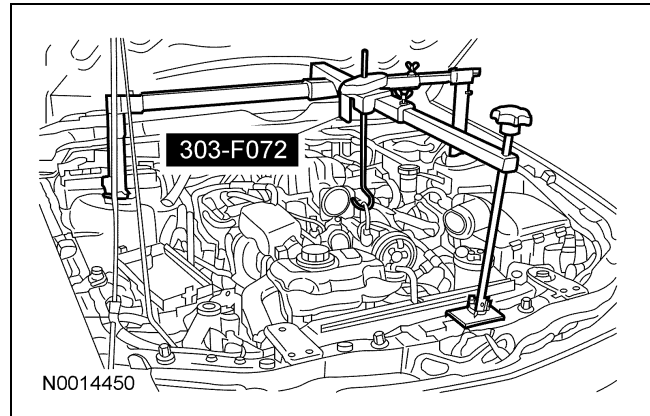
1. With the vehicle in NEUTRAL, position it on a hoist. For additional information, refer to Section 100-02.
2. Disconnect the battery ground cable. For additional information, refer to Section 414-01.
3. Remove the air cleaner outlet pipe. For additional information, refer to Section 303-12.
4. Disconnect the throttle body (TB) electrical connector.
5. Disconnect the throttle position (TP) sensor electrical connector.
6. Remove the 4 bolts and position the TB aside.
 - To install, tighten to 10 Nm (89 lb-in).
7. Remove the front end accessory drive (FEAD) bracket bolt and install the special tool.
 - To install, tighten to 48 Nm (35 lb-ft).



8. Remove the 6 pin-type retainers and the radiator sight shield.



9. Install the special tools.



10. Remove the engine mount bracket-to-engine mount nut.
 - To install, tighten to 63 Nm (46 lb-ft).
11. Remove the 3 engine mount bracket nuts and remove the bracket.
 - To install, tighten to 80 Nm (59 lb-ft).
12. Remove the 2 engine mount bolts and the engine mount.
 - To install, tighten to 70 Nm (52 lb-ft).
13. To install, reverse the removal procedure.