

DESCRIPTION AND OPERATION

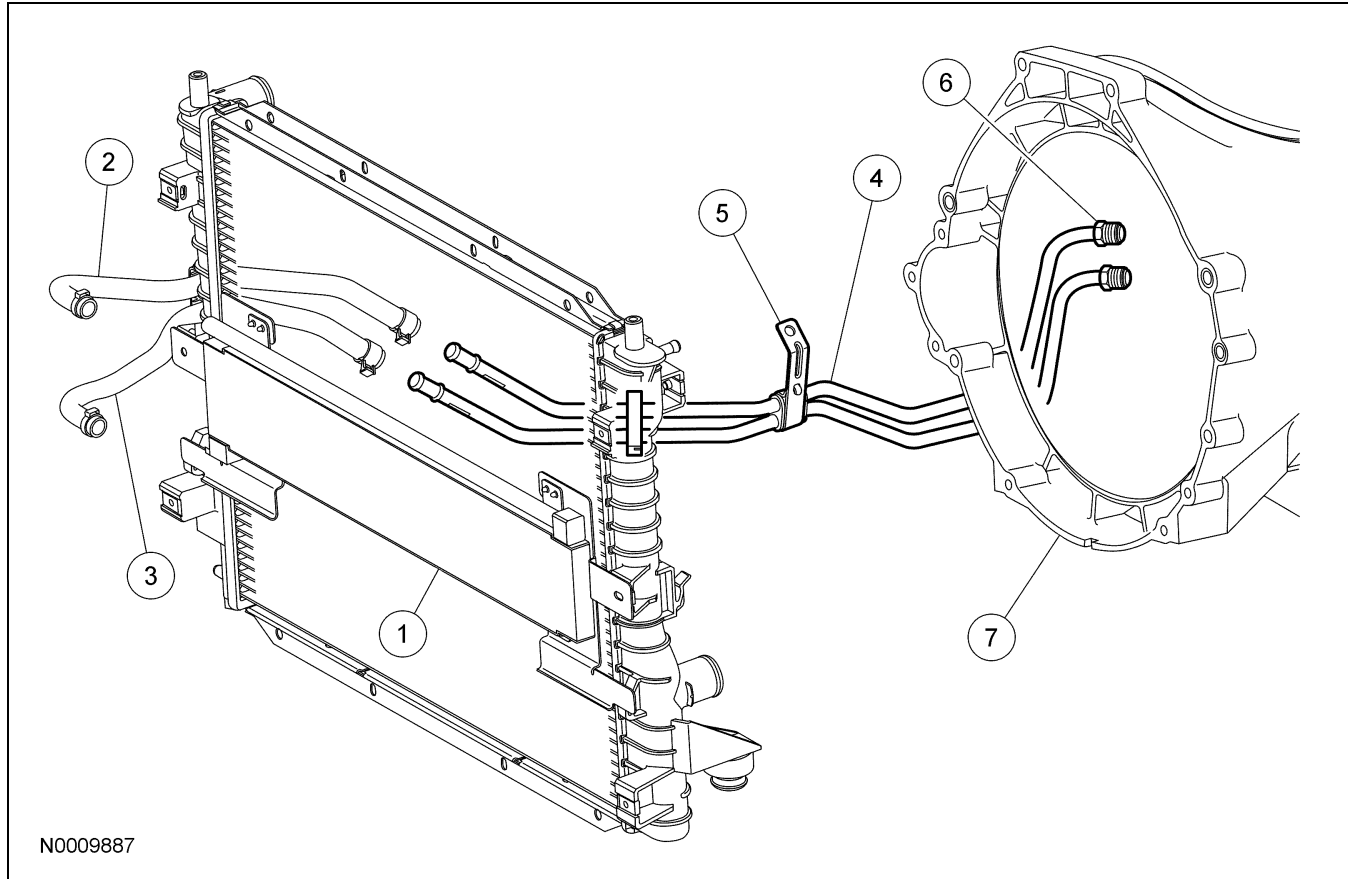
Transmission Cooling

This vehicle with an automatic transmission is equipped with an auxiliary transmission fluid cooler. The cooler transfers heat from the transmission fluid to the ambient air.

For transmission fluid cooler flow test, refer to Section 307-01.

For transmission fluid cooler backflushing and cleaning, refer to Section 307-01.

Transmission Fluid Cooler Tubes



Item	Part Number	Description
1	7A095	Auxiliary oil cooler
2	7W064	Fluid cooler outlet hose
3	7W063	Fluid cooler inlet hose
4	7H420	Fluid cooler tube assembly

(Continued)

Item	Part Number	Description
5	—	Fluid cooler tube assembly bracket (part of 7H420)
6	—	Fluid cooler tube assembly nuts (part of 7H420)
7	7005	Transmission case