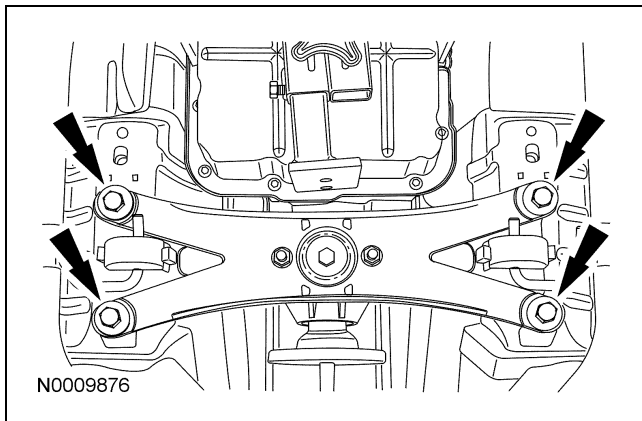


IN-VEHICLE REPAIR

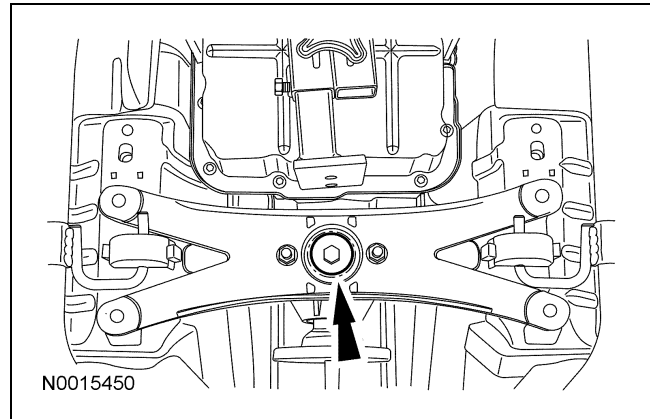
Transmission Support Crossmember

Removal and Installation

1. With the vehicle in NEUTRAL, position it on a hoist. For additional information, refer to Section 100-02.
2. Support the transmission with a transmission jack.
3. Remove the rear transmission mount outer screws.
 - To install, tighten to 55 Nm (41 lb-ft).



4. Remove the rear transmission mount center screw.
 - To install, tighten to 40 Nm (31 lb-ft).



5. Remove the rear transmission mount.
6. To install, reverse the removal procedure.