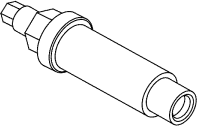
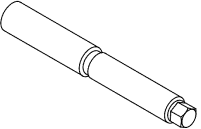
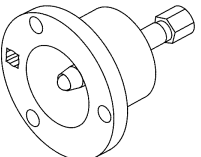


IN-VEHICLE REPAIR

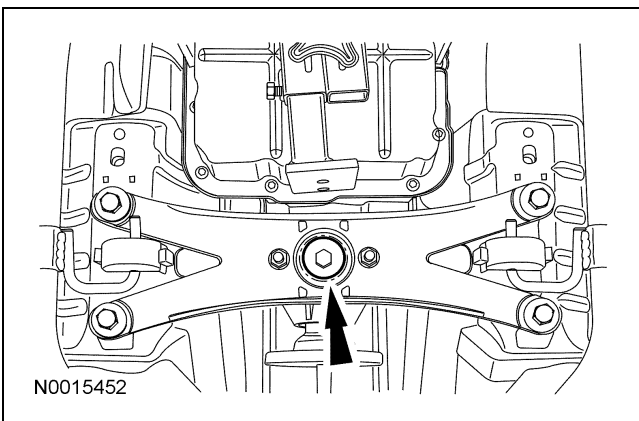
Extension Housing Gasket

Special Tool(s)

 <p>ST2440-A</p>	<p>Installer, Drive Pinion Flange 205-479</p>
 <p>ST2416-A</p>	<p>Installer, Output Shaft Flange 307-404</p>
 <p>ST2415-A</p>	<p>Remover, Output Shaft Flange 307-523</p>

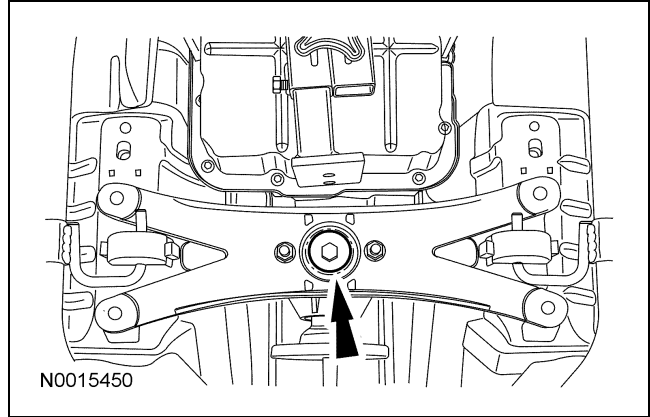
Removal

1. With the vehicle in NEUTRAL, position it on a hoist. For additional information, refer to Section 100-02.
2. Remove the driveshaft. For additional information, refer to Section 205-01.
3. Remove the transmission insulator center screw.

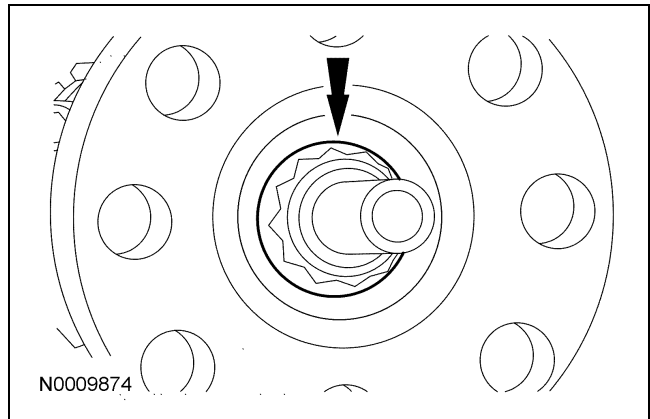


4. **NOTE:** Use a suitable transmission jack to support the transmission.

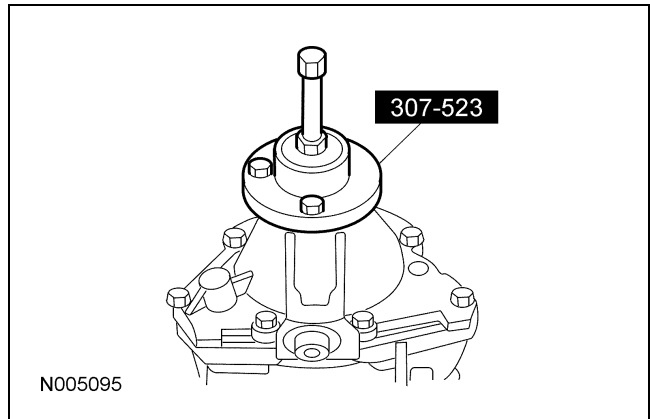
Remove the 4 rear transmission crossmember screws.




5. Remove and discard the nut.



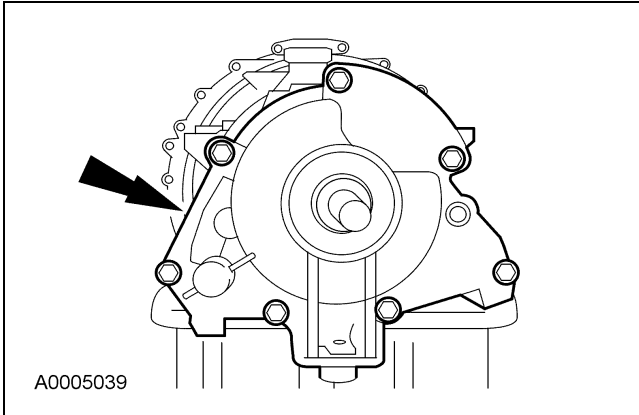
6. Using the special tool, remove the output shaft flange.



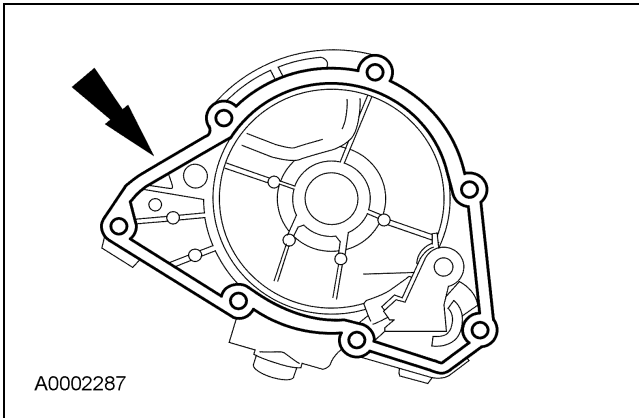
IN-VEHICLE REPAIR (Continued)

7.  **CAUTION:** The parking pawl, parking pawl return and parking pawl shaft could fall out during removal of the extension housing.

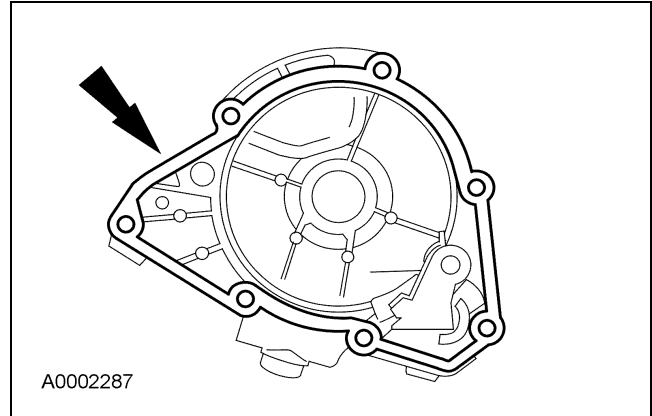
Remove the 7 extension housing screws and the extension housing.




8. Remove and discard the extension housing gasket.

**Installation**

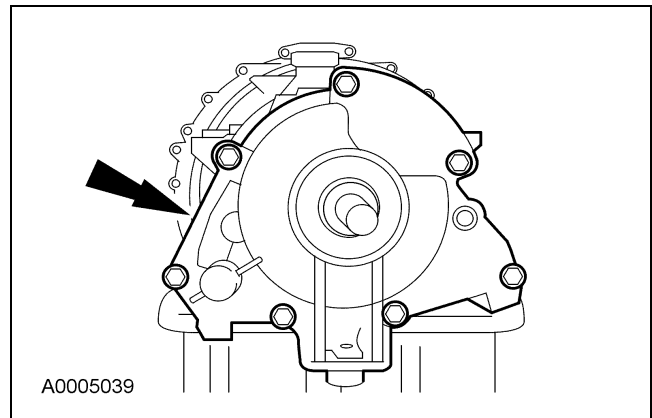
1. Clean the extension housing and install a new extension housing gasket. Make sure the parking pawl is installed correctly.



2.  **CAUTION:** Make sure the parking lever actuating rod is correctly seated into the case parking rod guide cup.

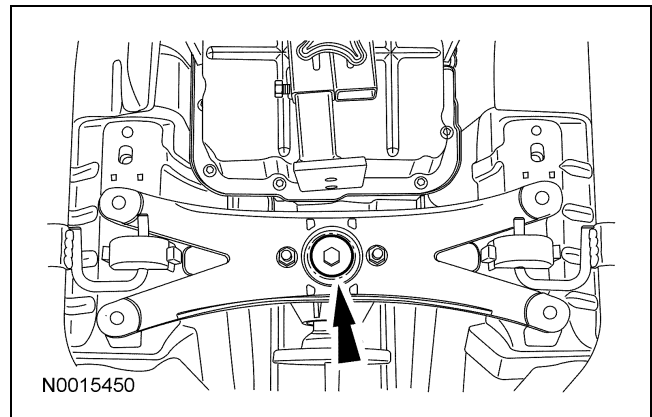
Install the extension housing and screws.

- Tighten to 25 Nm (18 lb-ft).



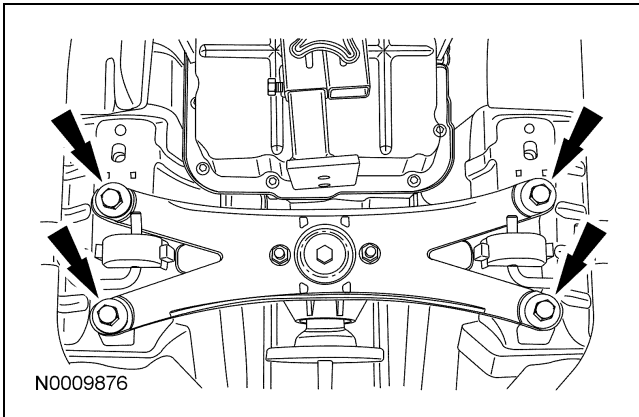
3. Install the rear transmission mount center screw.

- Tighten to 40 Nm (30 lb-ft).

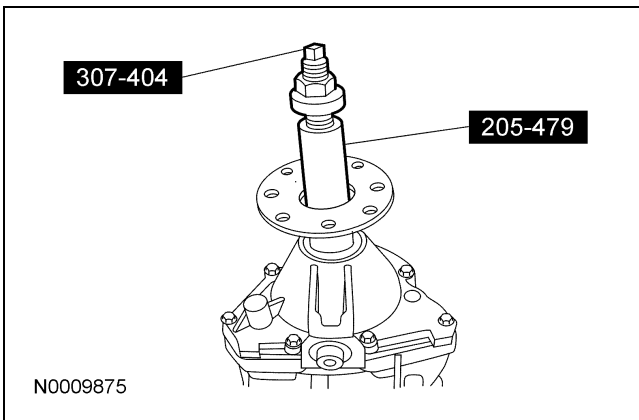


IN-VEHICLE REPAIR (Continued)

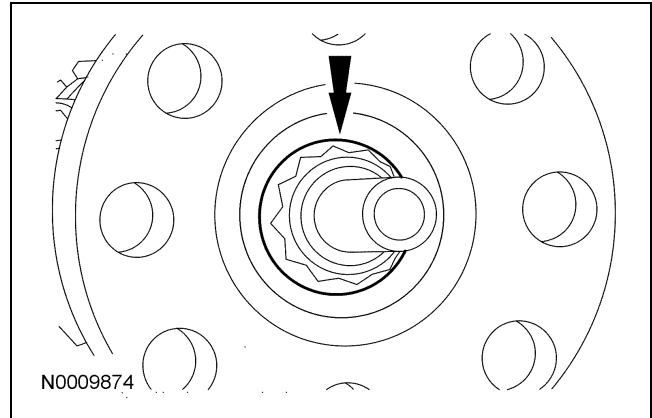
4. Install the 4 screws and the rear transmission support.
 - Tighten to 55 Nm (41 lb-ft).



5. Using the special tools, install the output flange.



6. Install a new nut.
 - Tighten to 131 Nm (97 lb-ft).



7. Install the driveshaft. For additional information, refer to Section 205-01.
8. Check the transmission fluid level. For additional information, refer to Transmission Fluid Level Check in this section.