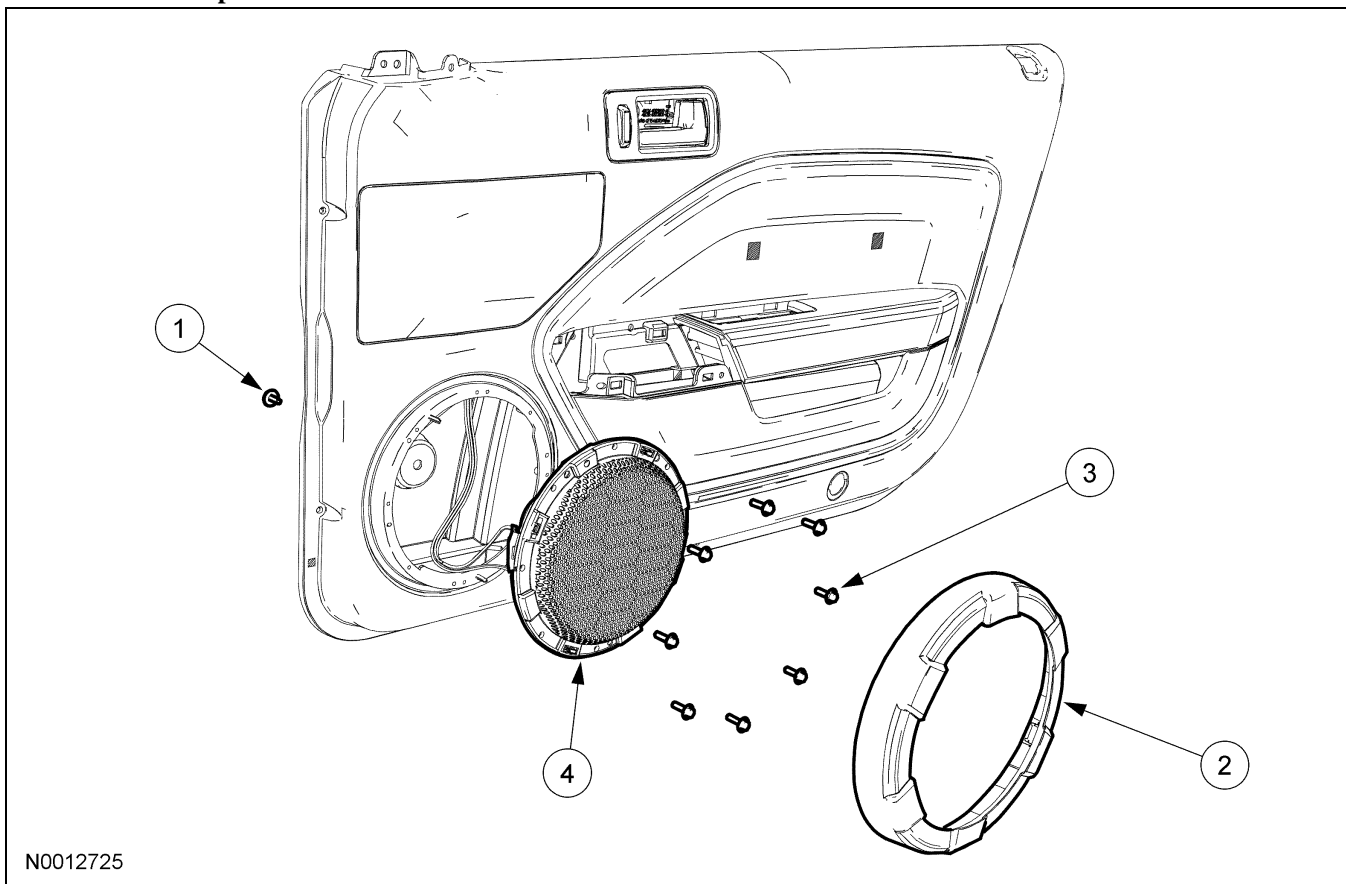


REMOVAL AND INSTALLATION

Subwoofer Speaker

Door Subwoofer Speaker



Item	Part Number	Description
1	W707281	Door subwoofer speaker bolt
2	18978	Door subwoofer speaker grille trim
3	N606674	Door subwoofer speaker screws (8 required)
4	18808	Door subwoofer speaker

2. Remove the door subwoofer speaker grille trim.
3. Remove the door subwoofer speaker bolt.
4. Remove the 8 screws and the subwoofer speaker.
 - Push the wiring harness grommet through the door trim panel.
5. To install, reverse the removal procedure.

Removal and Installation

1. Remove the door trim panel. For additional information, refer to Section 501-05.