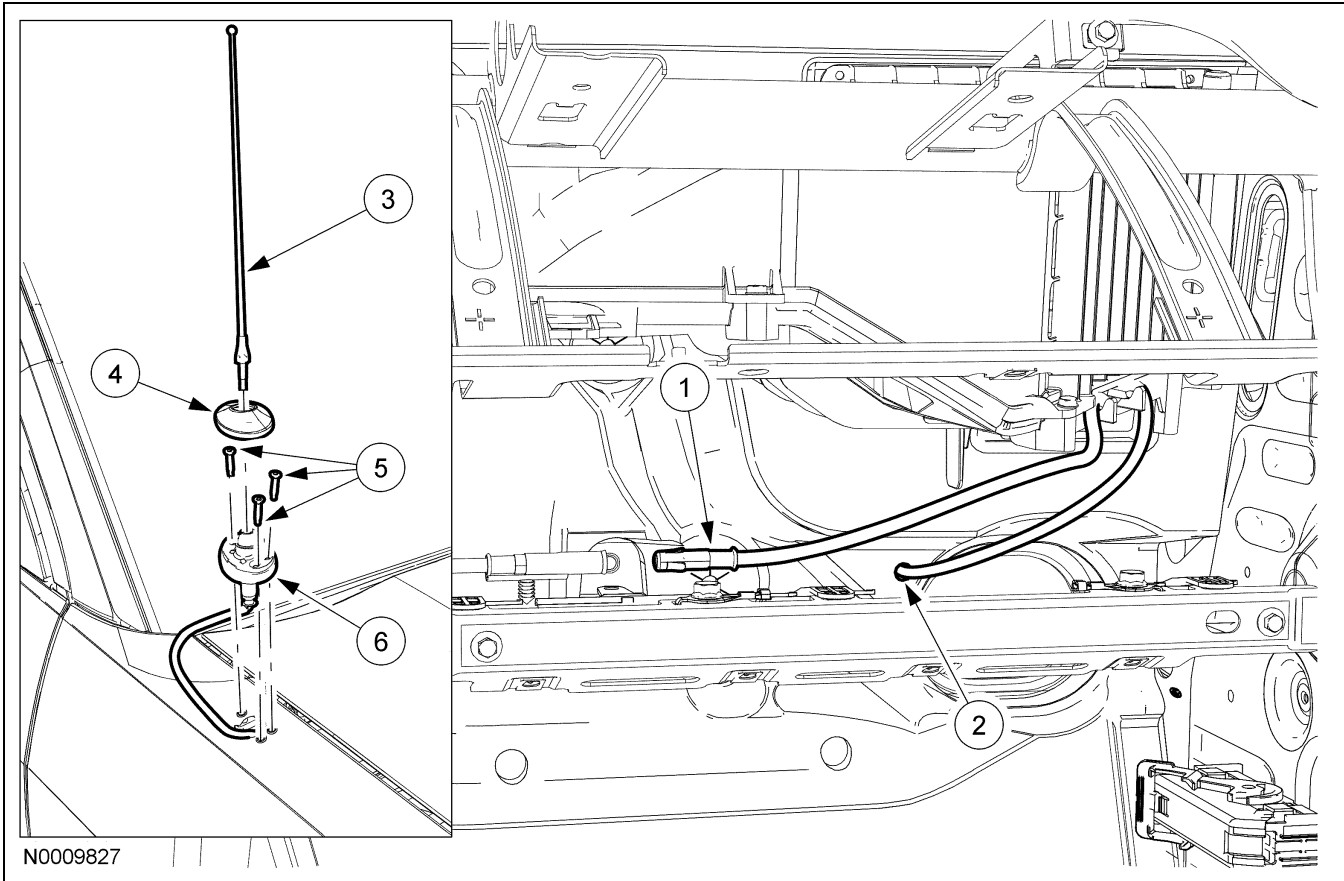


REMOVAL AND INSTALLATION

Antenna Base



Item	Part Number	Description
1	19A136	Antenna in-line connector
2	18A984	Antenna cable grommet (part of 18A984)
3	18813	Antenna mast
4	18A927	Antenna base cover
5	W710248	Antenna base screws (3 required)
6	18A984	Antenna base

Removal and Installation

1. Remove the antenna mast.
2. Remove the fender splash shield. For additional information, refer to Section 501-02.

3. Lower the glove compartment door.
4. Disconnect the antenna in-line connector.
5. Push the antenna cable grommet through the bulkhead.
6. Remove the antenna base cover.
7. Remove the 3 screws and the antenna base and cable.
8. To install, reverse the removal procedure.