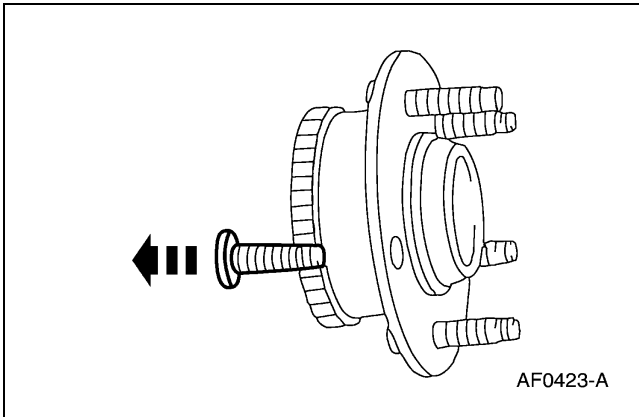


## REMOVAL AND INSTALLATION

### Wheel Studs

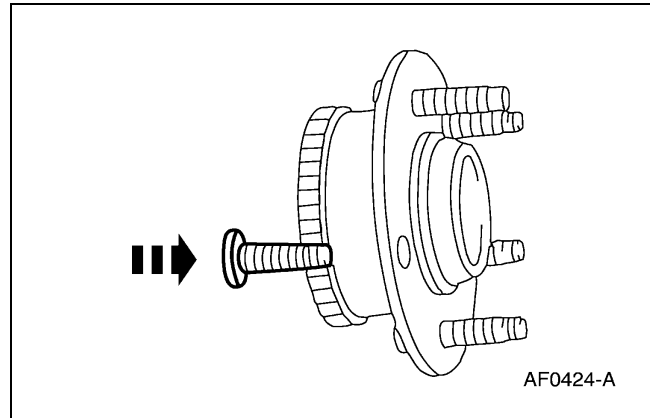
#### Removal

1. Remove the wheel hub. For additional information, refer to Wheel Bearing and Wheel Hub in this section.
2. Using a press, remove the wheel stud from the wheel hub.



#### Installation

1. Using a press, install a new wheel stud.



2. Install the wheel hub. For additional information, refer to Wheel Bearing and Wheel Hub in this section.