

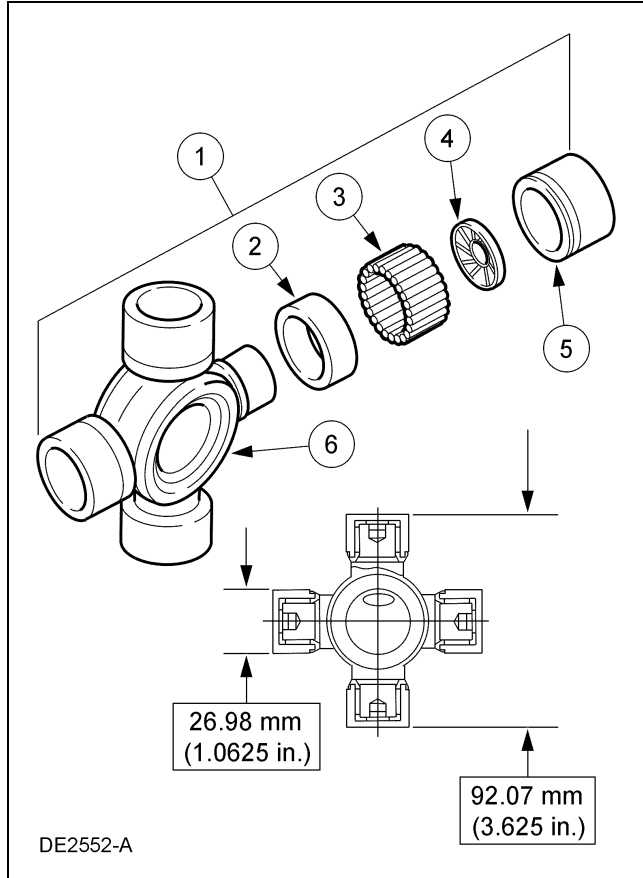
DESCRIPTION AND OPERATION

Universal Joints

The universal joints are:

- lubed-for-life design and require no lubrication.
- equipped with nylon thrust washers, located at each base of the bearing cup, which control end play, position the needle bearing and improve grease movement.

Item	Part Number	Description
3	—	32 needle bearings (part of 4635)
4	—	Thrust washer (part of 4635)
5	—	Bearing cup (part of 4635)
6	—	Spider (part of 4635)



Item	Part Number	Description
1	4635	Universal joint (U-joint)
2	—	Grease seal (part of 4635)

(Continued)