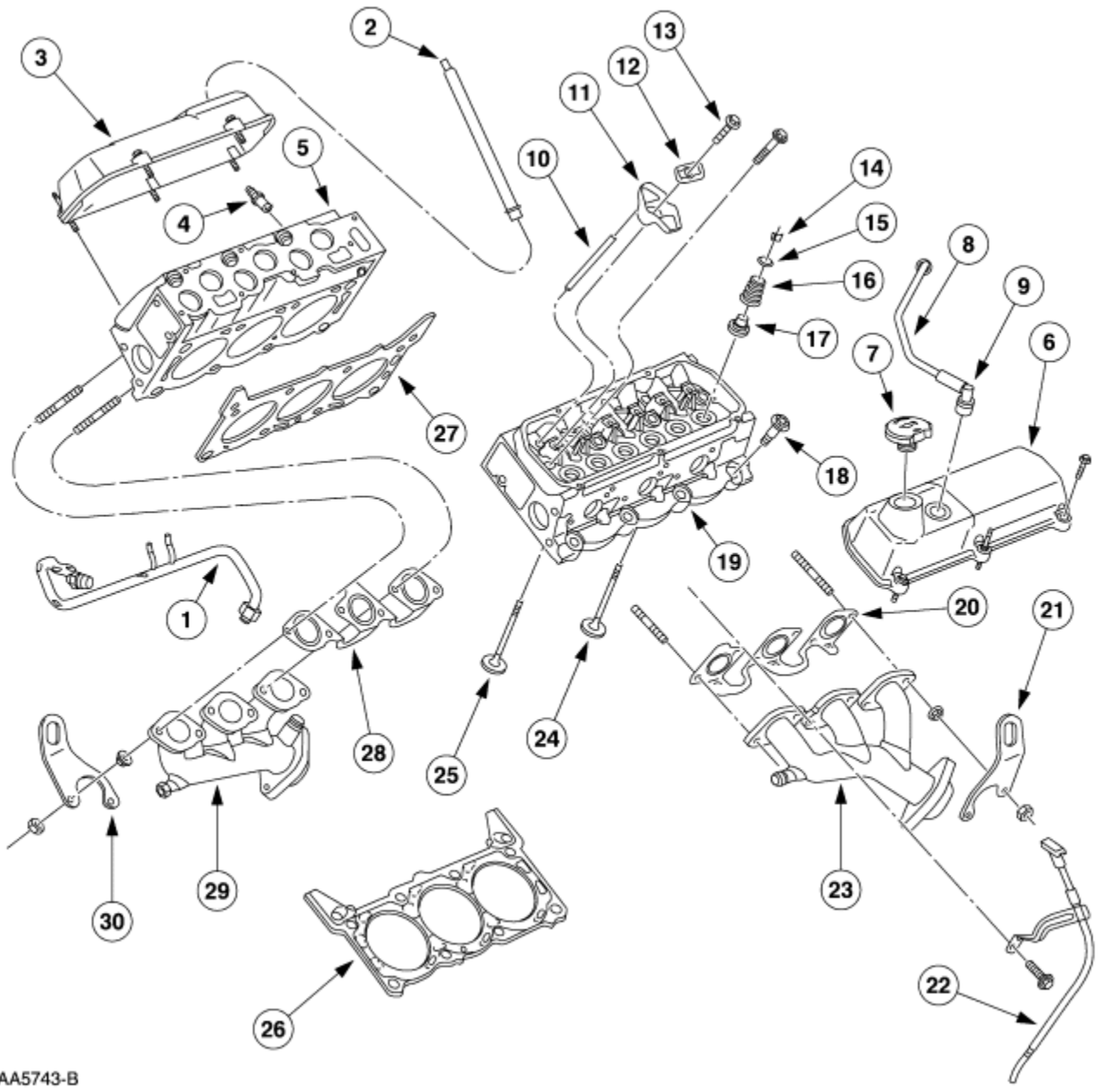


## **Engine Component View**

### **Cylinder Heads and Valve Train Components**

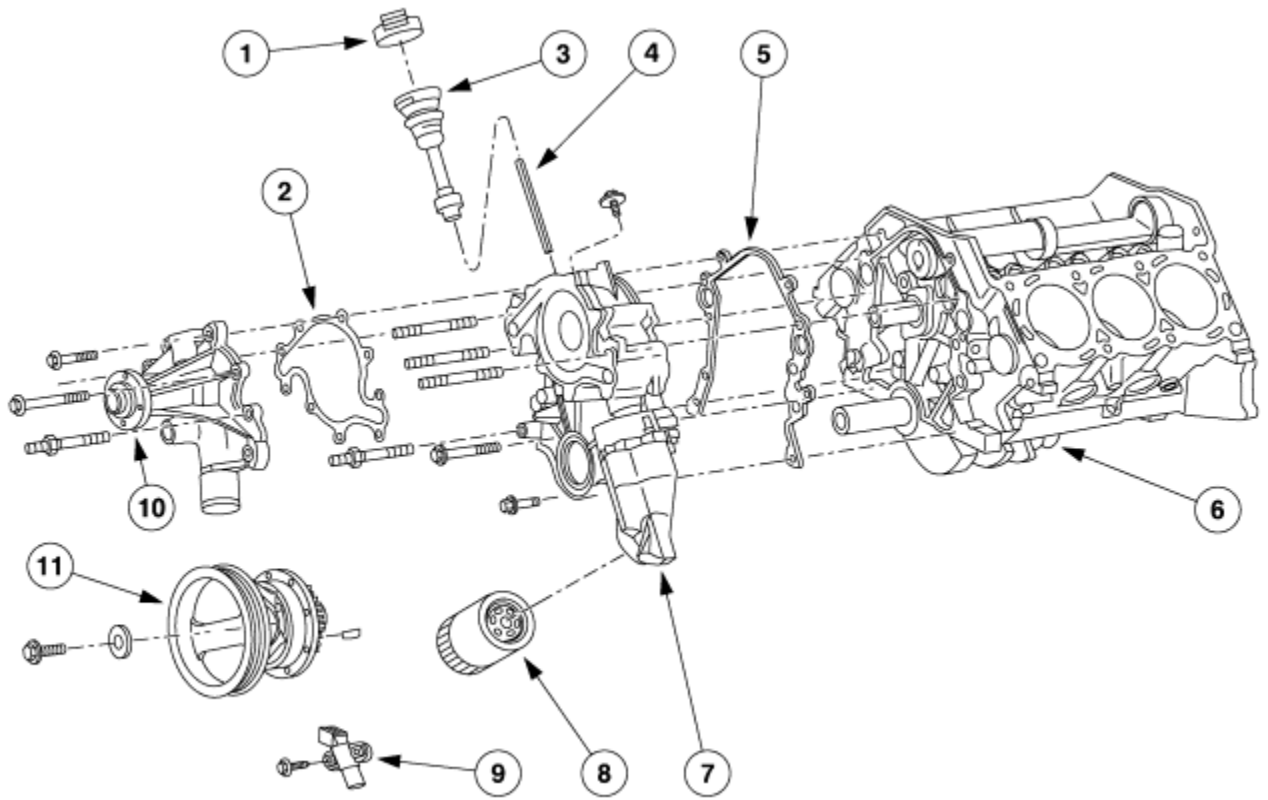


AA5743-B

Item	Part Number	Description
1	9D477	EGR valve-to-exhaust manifold tube
2	6C342	Crankcase ventilation hose
3	6582	Valve cover—RH
4	12405	Spark plug

5	6049	Cylinder head—RH
6	6582	Valve cover—LH
7	6766	Oil fill cap
8	6758	Crankcase ventilation tube
9	6A666	Positive crankcase ventilation valve
10	6565	Push rod
11	6564	Rocker arm
12	6A528	Rocker arm seat
13	N807699	Bolt
14	6518	Valve spring retainer key
15	6514	Valve spring retainer
16	6513	Valve spring
17	6A517	Valve stem seal
18	611497	Bolt
19	6049	Cylinder head—LH
20	9448	Exhaust manifold gasket—LH
21	17A084	Engine lifting eye
22	6754	Oil level indicator tube
23	9430	Exhaust manifold—LH
24	6507	Intake valve
25	6505	Exhaust valve
26	6051	Head gasket—LH
27	6051	Head gasket—RH
28	9448	Exhaust manifold gasket—RH
29	9430	Exhaust manifold—RH
30	17A084	Engine lifting eye

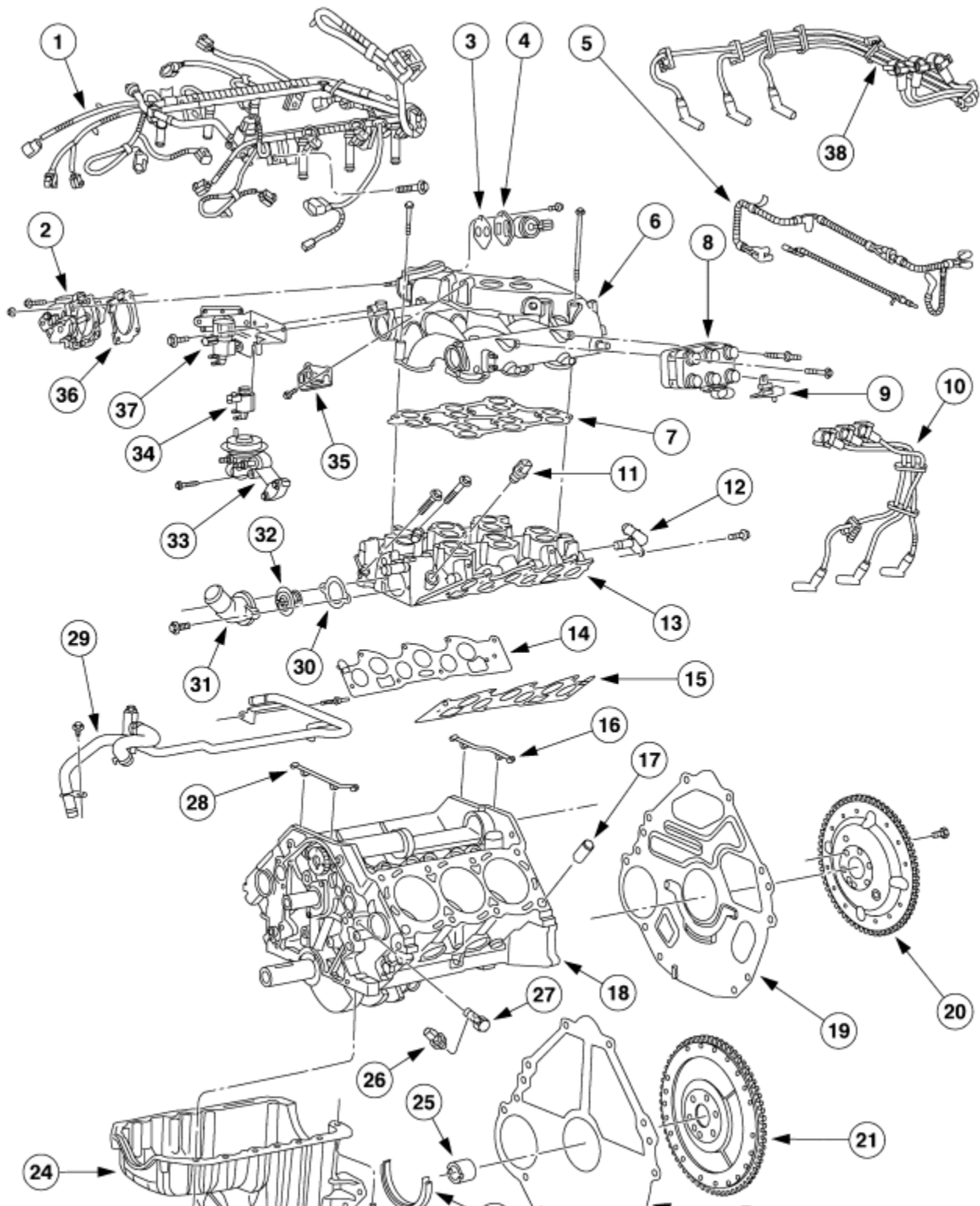
### Engine Front Cover Components



AA5741-A

Item	Part Number	Description
1	6B288	Camshaft position sensor
2	8507	Water pump housing gasket
3	12A362	Camshaft synchronizer
4	6A618	Oil pump intermediate shaft
5	6020	Engine front cover gasket
6	6010	Cylinder block
7	6019	Engine front cover
8	6714	Oil bypass filter
9	6C315	Crankshaft position sensor
10	8501	Water pump
11	6312	Crankshaft pulley

**Engine Components**



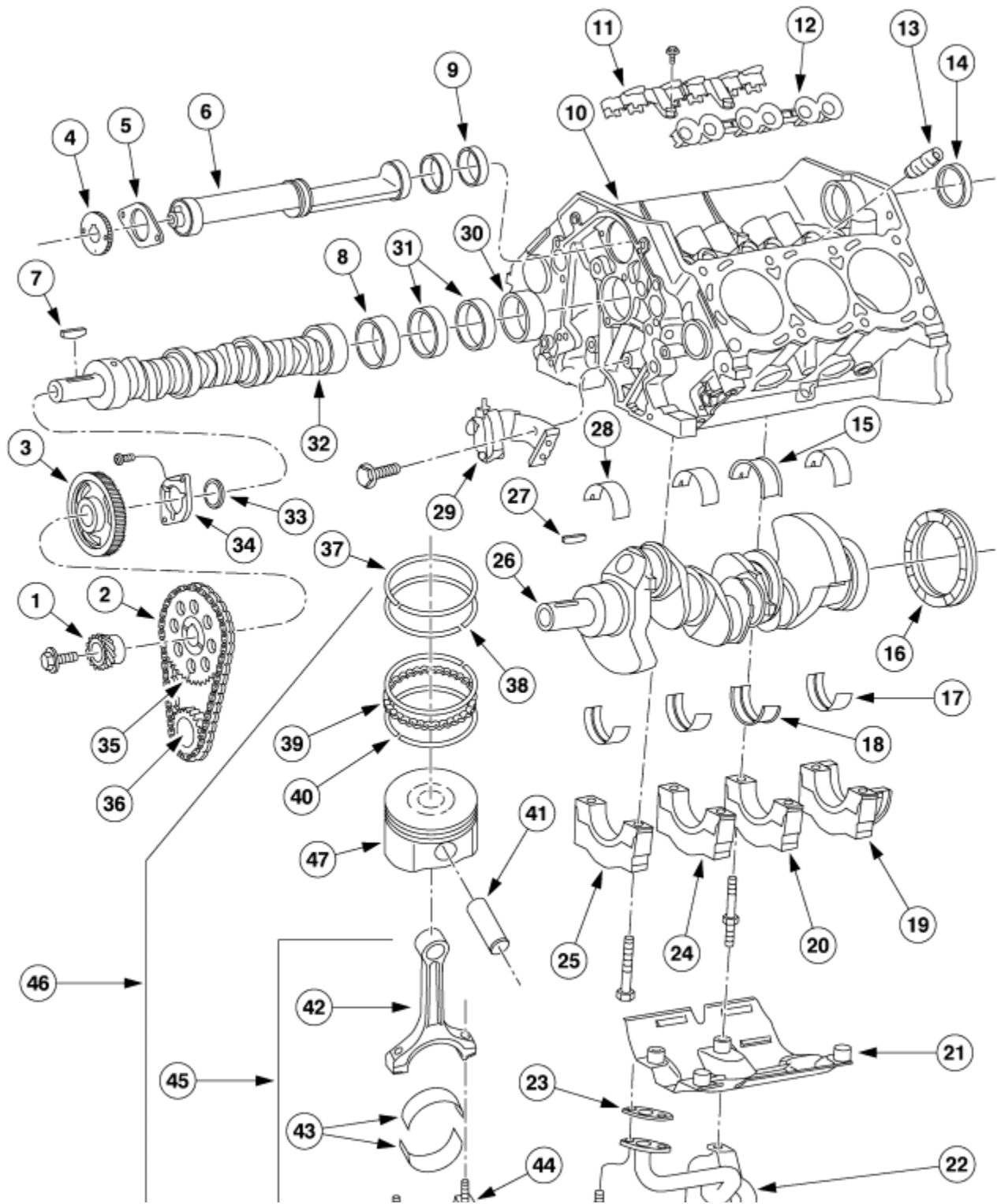


AA5744-B

Item	Part Number	Description
1	9F797	Engine wire harness
2	9E926	Throttle body
3	9F670	Idle air control gasket
4	9F715	Idle air control valve
5	9E498	Emissions vacuum harness
6	9424	Intake manifold (upper)
7	9H486	Intake manifold gasket (upper)
8	12029	Ignition coil
9	18801	Radio ignition interference capacitor
10	12281	Ignition wire set (LH)
11	12A648	Engine coolant temperature (ECT) sensor
12	18696	Tube assembly
13	9424	Intake manifold (lower)
14	9439	Intake manifold gasket (RH)
15	9439	Intake manifold gasket (LH)
16	9A424	Intake manifold seal (rear)
17	6A008	Cylinder head-to-block dowel
18	6010	Cylinder block
19	6A373	Engine rear plate (automatic transmission)
20	6375	Flywheel (automatic transmission)
21	6375	Flywheel (manual transmission)
22	6A372	Engine rear plate (manual transmission)
23	6723	Oil pan rear seal
24	6675	Oil pan
25	7120	Pilot bushing
26	9278	Oil pressure sensor
27	9B339	Oil pressure sensor fitting
28	9A424	Intake manifold seal (front)
29	18663	Heater water outlet tube
30	8255	Thermostat housing-to-intake manifold gasket
31	8592	Water outlet connection

32	9875	Water thermostat
33	9D475	EGR valve
34	9H465	Vacuum control solenoid
35	9723	Accelerator cable bracket
36	9E936	Throttle body gasket
37	9J433	EGR transducer
38	12280	Ignition wire set (RH)

### **Cylinder Block and Lower End Components**





Item	Part Number	Description
1	6255	Distributor drive gear
2	6268	Timing chain
3	6A303	Engine balance shaft drive gear
4	6A304	Engine balance shaft driven gear
5	6C341	Balance shaft thrust plate
6	6A311	Engine dynamic balance shaft
7	W705934	Woodruff key
8	6261	Camshaft bearing
9	6A333	Balance shaft front and rear bearing
10	6010	Cylinder block
11	6K564	Tappet guide plate and retainer—RH
12	6K564	Tappet guide plate and retainer—LH
13	6500	Valve tappet
14	376958	Balance shaft cover plug
15	6337	Crankshaft thrust main bearing
16	6701	Crankshaft rear oil seal
17	6A338	Crankshaft main bearing (lower)
18	6A339	Crankshaft thrust main bearing
19	6325	Rear main bearing cap
20	6327	Main bearing cap
21	6687	Oil pan baffle
22	6622	Oil pump screen cover and tube
23	6625	Oil pump inlet tube gasket
24	6334	Main bearing cap
25	6329	Main bearing cap
26	6303	Crankshaft
27	388907	Woodruff key
28	6333	Crankshaft Main Bearing (upper)
29	6284	Timing chain vibration damper
30	6263	Camshaft rear bearing

31	6262	Camshaft center bearing
32	6250	Camshaft
33	6265	Camshaft sprocket spacer
34	6269	Camshaft thrust plate
35	6256	Camshaft sprocket
36	6303	Crankshaft sprocket
37	6150	Piston ring
38	6152	Piston ring
39	6161	Piston ring
40	6159	Piston ring
41	6135	Piston Pin
42	6200	Connecting rod
43	6211	Connecting rod bearing
44	6210	Connecting rod cap
45	6200	Connecting rod assembly
46	6100	Piston and connecting rod assembly
47	6108	Piston

---