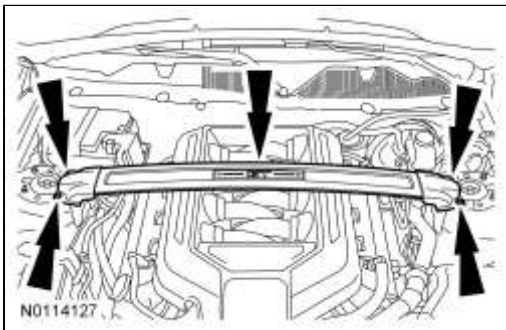


Transmission

⚠ WARNING: Do not breathe dust or use compressed air to blow dust from storage containers or friction components. Remove dust using government-approved techniques. Friction component dust may be a cancer and lung disease hazard. Exposure to potentially hazardous components may occur if dusts are created during repair of friction components, such as brake pads and clutch discs. Exposure may also cause irritation to skin, eyes and respiratory tract, and may cause allergic reactions and/or may lead to other chronic health effects. If irritation persists, seek medical attention or advice. Failure to follow these instructions may result in serious personal injury.

All vehicles

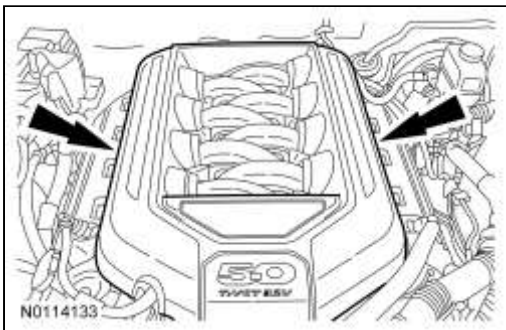
1. With the vehicle in NEUTRAL, position it on a hoist. For additional information, refer to [Section 100-02](#).
2. Disconnect the battery ground cable. For additional information, refer to [Section 414-01](#).
3. If equipped, remove the 4 nuts and the strut tower cross brace.



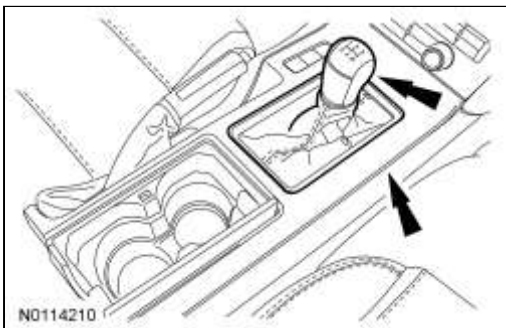
4. **NOTICE:** If the engine appearance cover is not removed it will be damaged when lowering transmission.

NOTE: 5.0L (4V) shown, 3.7L similar.

Remove engine appearance cover.

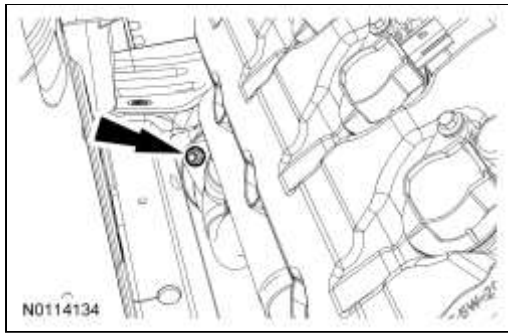


5. Remove the gearshift lever knob and position the floor console finish panel aside.
 - Turn the gearshift lever knob in a counterclockwise direction.

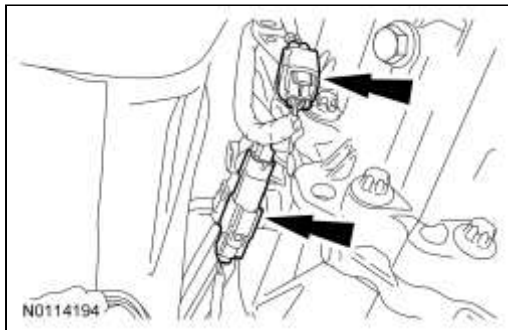


Vehicles equipped with 5.0L (4V)

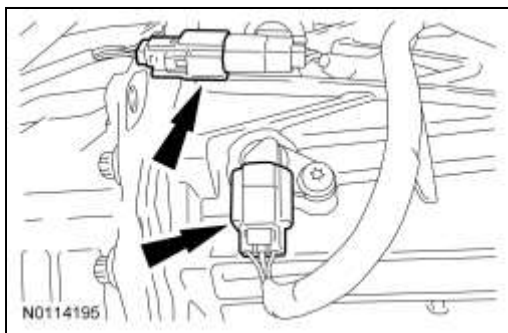
6. Remove and discard the RH catalytic converter-to-exhaust manifold nut.



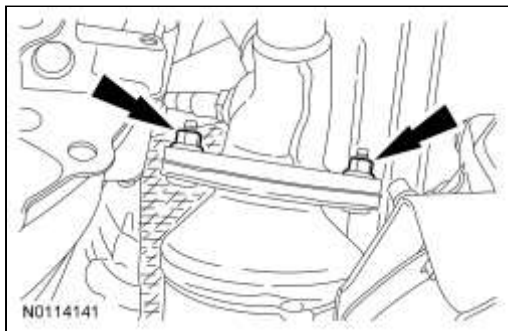
7. Disconnect the Catalyst Monitor Sensor (CMS) and the reverse lamp switch electrical connectors.



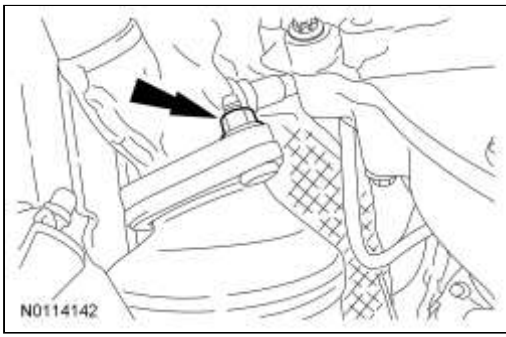
8. Disconnect the CMS and the Output Shaft Speed (OSS) sensor electrical connectors.



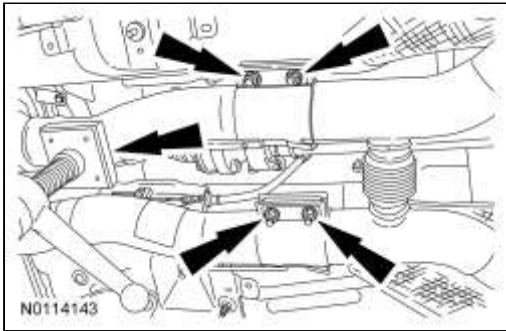
9. Remove and discard the 2 LH catalytic converter-to-exhaust manifold nuts.



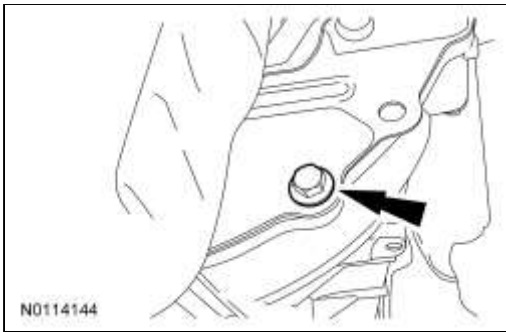
10. Remove and discard the RH catalytic converter-to-exhaust manifold nut.



11. Using a jackstand, support the intermediate pipe and loosen the 2 exhaust (H-pipe) clamps.
 - Remove the catalytic converter (H-pipe) assembly from the vehicle.
 - Remove and discard the gaskets.

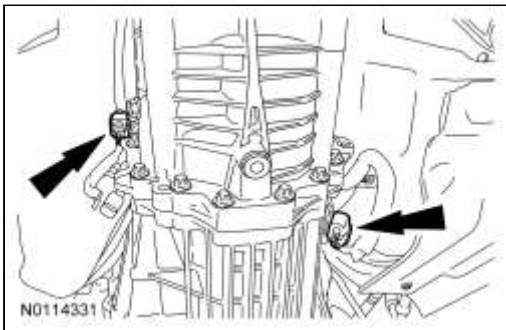


12. Remove the 2 engine spacer plate-to-transmission bolts.



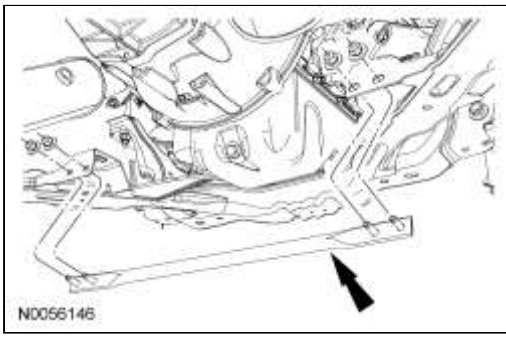
Vehicles equipped with 3.7L

13. Remove the catalytic converter assembly (H-pipe). For additional information, refer to [Section 309-00](#).
14. Disconnect the OSS sensor and the reverse lamp switch electrical connectors.



All vehicles

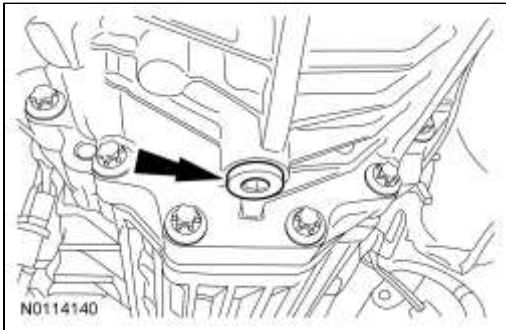
15. Remove the driveshaft. For additional information, refer to [Section 205-01](#).
16. Remove the starter motor. For additional information, refer to [Section 303-06](#).
17. Remove the 4 subframe cross brace nuts and the subframe cross brace.



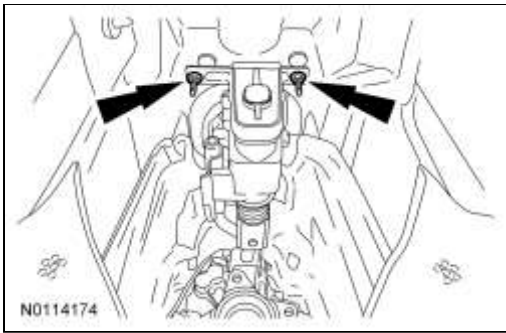
18. **NOTE:** If transmission disassembly is required, drain the transmission fluid.

Remove the drain plug and drain the transmission fluid.

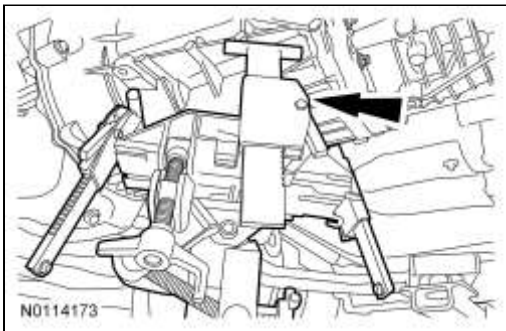
- Install the drain plug.
- Tighten to 35 Nm (26 lb-ft).



19. Remove the 2 gearshift lever nuts.



20. Position a transmission jack and support the transmission.



21. Remove the transmission crossmember. For additional information, refer to [Section 502-00](#).

22. Partially lower the transmission.

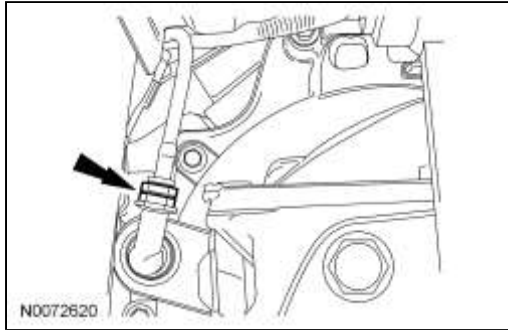
23. Disconnect wiring harness clips and position the wiring harness aside.

- If equipped, disconnect the skip shift solenoid.

24. **NOTICE:** Do not spill brake fluid on painted or plastic surfaces or damage to the surface may occur. If brake fluid is spilled onto a painted or plastic surface, immediately wash the surface with water.

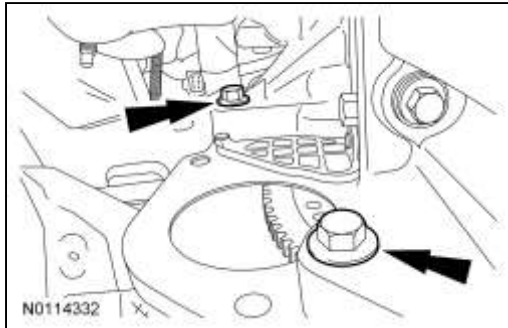
Release the clutch hydraulic tube clip and disconnect the clutch hydraulic tube from the clutch slave cylinder connector.

- Drain the fluid into a suitable container.



Vehicles equipped with 3.7L

25. Remove the 2 engine-to-transmission bolts.



All vehicles

26. Remove the 4 transmission-to-engine bolts and 3 transmission-to-engine stud bolts.
27. Pull the transmission rearward until the input shaft is clear of the pressure plate, then lower the transmission from the vehicle.