

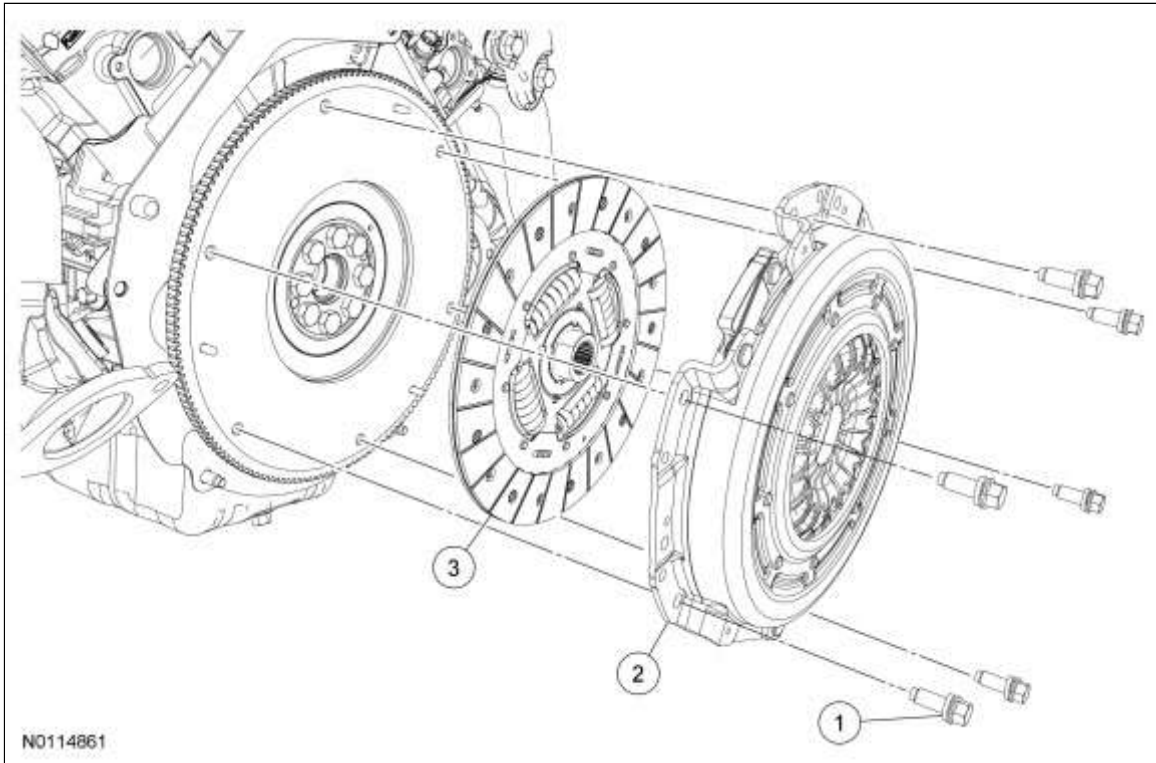
Clutch Disc and Pressure Plate — 5.0L

Special Tool(s)



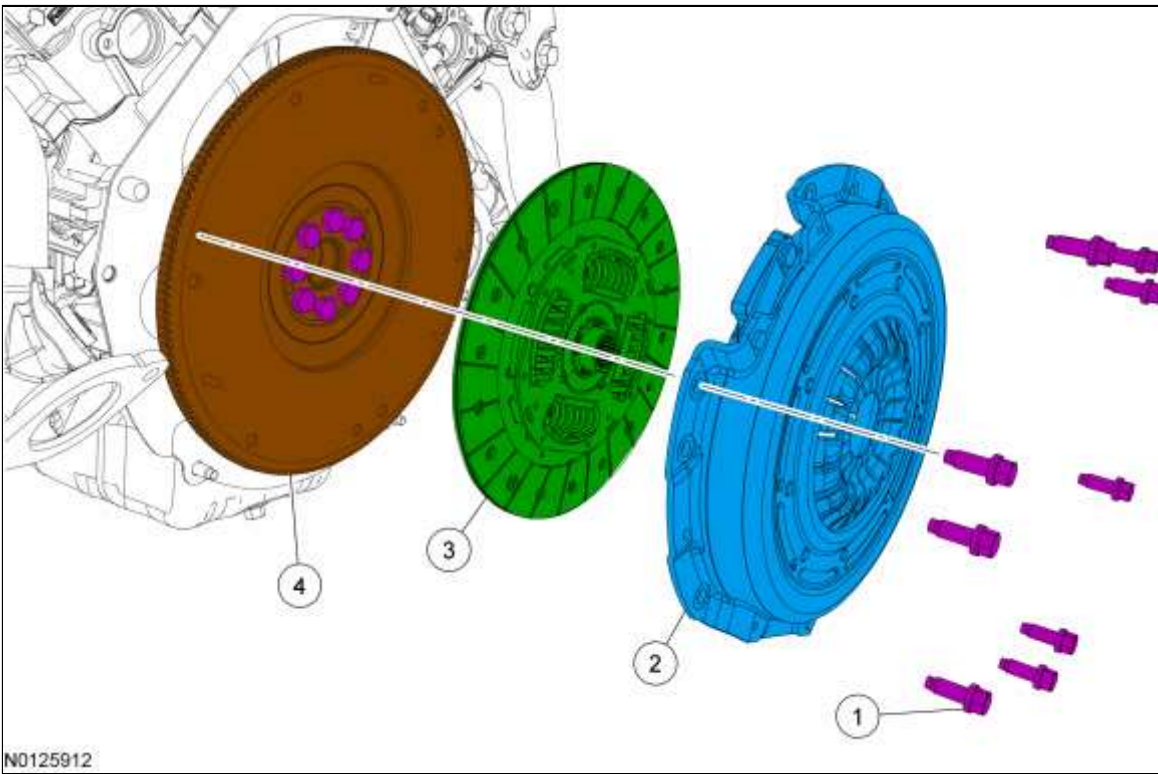
Vehicle Communication Module (VCM) and Integrated Diagnostic System (IDS) software with appropriate hardware, or equivalent scan tool

Early build vehicles



Item	Part Number	Description
1	W715869	Clutch pressure plate bolt (6 required)
2	7563	Pressure plate
3	7550	Clutch disc

Late build vehicles



N0125912

Item	Part Number	Description
1	W715869	Clutch pressure plate bolt (9 required)
2	7563	Pressure plate
3	7550	Clutch disc
4	6375	Flywheel

Removal

⚠️ WARNING: Do not breathe dust or use compressed air to blow dust from storage containers or friction components. Remove dust using government-approved techniques. Friction component dust may be a cancer and lung disease hazard. Exposure to potentially hazardous components may occur if dusts are created during repair of friction components, such as brake pads and clutch discs. Exposure may also cause irritation to skin, eyes and respiratory tract, and may cause allergic reactions and/or may lead to other chronic health effects. If irritation persists, seek medical attention or advice. Failure to follow these instructions may result in serious personal injury.

All vehicles

1. Remove the transmission. Refer to [Section 308-03A](#).

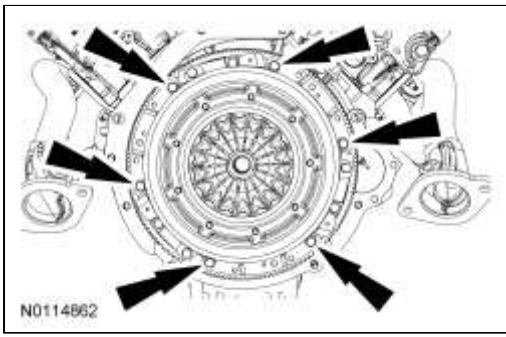
Early build vehicles

2. **NOTICE:** Loosen the bolts evenly to prevent clutch pressure plate damage.

NOTE: If the parts are to be reused, index-mark the pressure plate to the flywheel.

Remove the 6 pressure plate bolts, remove the pressure plate and the clutch disc.

- Discard the pressure plate bolts.



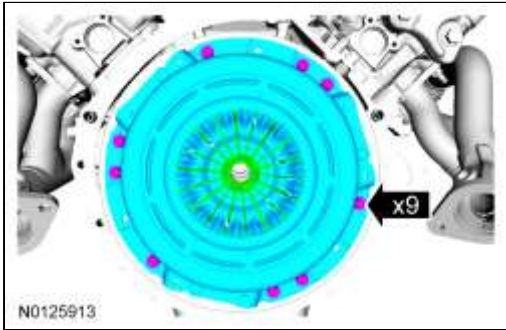
Late build vehicles

3. **NOTICE:** If the parts are to be reused, index-mark the pressure plate to the flywheel. Failure to install the pressure plate to the flywheel in the original position may result in a clutch system vibration.

NOTICE: Loosen the bolts evenly to prevent clutch pressure plate damage.

Remove the 9 pressure plate bolts by turning them 1 turn at a time in a star pattern until the clutch is fully released. Remove the pressure plate and the clutch disc.

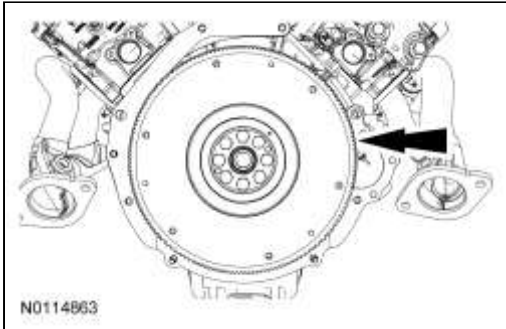
- Discard the pressure plate bolts.



Installation

All vehicles

1. Inspect the flywheel. Refer to Flywheel Runout Check in [Section 308-00](#).



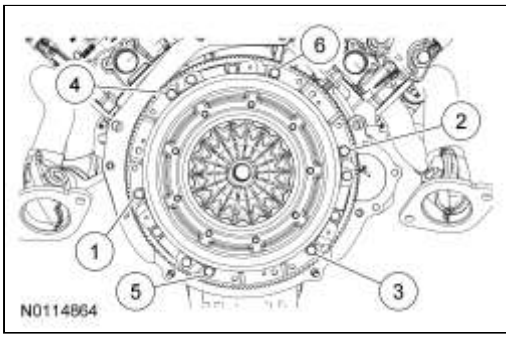
Early build vehicles

2. **NOTE:** If installing the original pressure plate, align it using the index marks made during removal.

NOTE: Always install new pressure plate bolts.

Using a clutch aligner, position the clutch disc on the flywheel, install the pressure plate and 6 new pressure plate bolts. Turn the bolts 1-2 turns at a time in a star pattern until the clutch is fully secured.

- Tighten the pressure plate bolts in 2 stages in a star pattern.
 - Stage 1: Tighten to 63 Nm (46 lb-ft).
 - Stage 2: Tighten an additional 60 degrees.



Late build vehicles

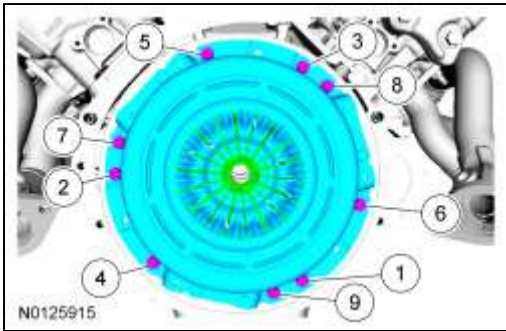
3. **NOTICE:** If installing a new pressure plate and/or flywheel, align the paint dot on the pressure plate as close as possible to the paint dot on the flywheel or a clutch system vibration can occur.

NOTICE: If installing the original pressure plate, align it using the index-marks made during removal or a clutch system vibration can occur.

NOTE: Always install new pressure plate bolts.

Using a clutch aligner, position the clutch disc on the flywheel. If installing the original pressure plate, align the pressure plate to the flywheel using the index-marks made during removal. If installing a new pressure plate, align the pressure plate to the flywheel using the paint dots. Install the 9 new pressure plate bolts by turning the bolts 1 turn at a time in a star pattern until the clutch is fully secured.

- Tighten the pressure plate bolts in 2 stages, in the sequence shown.
 - Stage 1: Tighten to 63 Nm (46 lb-ft).
 - Stage 2: Tighten an additional 60 degrees.



All vehicles

4. **NOTE:** Before securing the transmission to the engine, connect the clutch hydraulic tube to the slave cylinder.

Install the transmission. Refer to [Section 308-03A](#).

5. Bleed the clutch hydraulic system. Refer to [Section 308-00](#).

6. After completing the repairs, use the scan tool to perform the Misfire Monitor Neutral Profile Correction procedure, following the on-screen instructions.

