

Installation Instructions for Torsen® Differential

8.8” Solid Axle Rear Suspension

Applications – Ford Mustang, Crown Victoria, Ranger, F-150, and Explorer

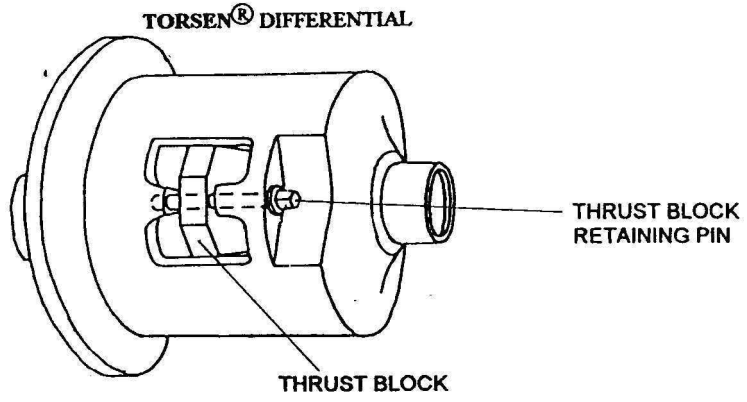
NOTE

Take care to keep right and left bearing cups, shims, and bearing journal caps separated!

1. Install ring gear on Torsen differential. Torque bolts as specified in the Ford Service Manual.
2. Install two new journal bearings on Torsen differential.
3. Mount differential assembly into axle by following the procedure given in the Ford Service Manual.
4. Remove retaining pin holding the thrust block from the Torsen differential and slide the thrust block from the differential.
5. Insert the left axle shaft as far as possible. Place C-clip axle retainer into groove in the end of the shaft. Do this by sliding the two center washers up tight against the right hand side gear, putting the C-clip in place and pulling the axle shaft back out until it stops (approximately ½ inch).
6. Slide the center washers to the left and repeat the previous step for the right hand C-clip.
7. Slide both center washers to respective sides.
8. Holding the center washers apart, insert the thrust block between the washers.
9. Reinstall the thrust block retaining pin and torque to 25 ft/lbs.
10. Reattach axle cover and fill carrier. Consult owner’s manual for fluid and capacity.

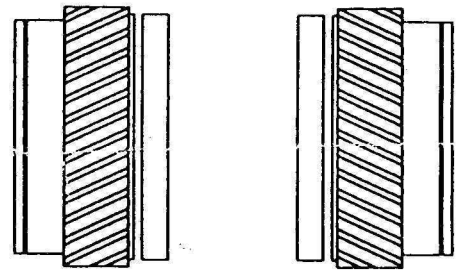
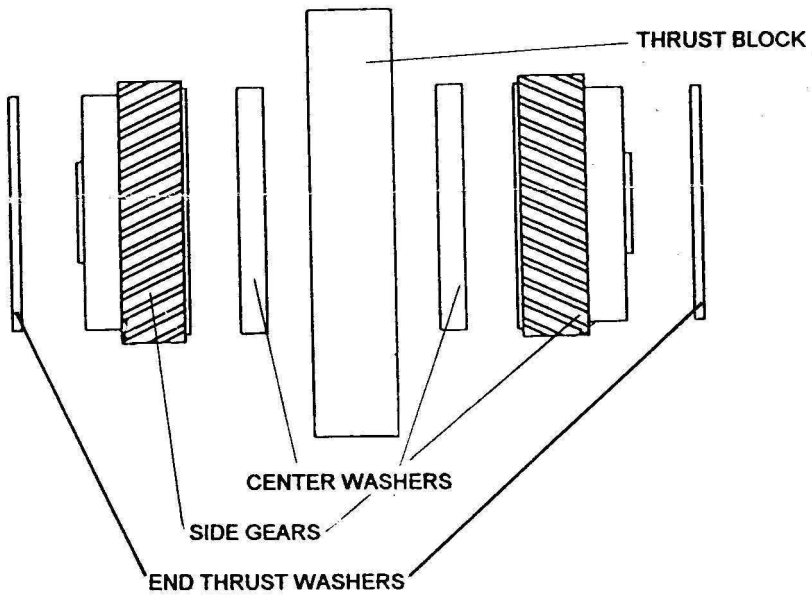
For questions concerning the installation of the Torsen differential, call (585) 464-5000.

Torsen® is a registered trademark of JTEKT Torsen North America, Inc.

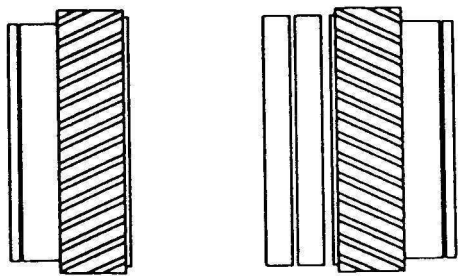


DETAILS OMITTED FOR CLARITY

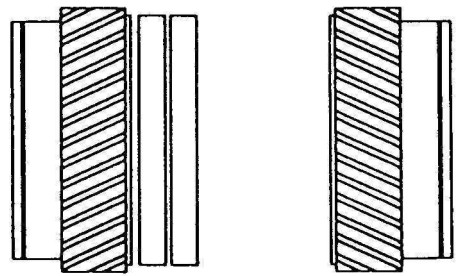
**EXPLODED VIEW OF COMPONENTS INSIDE
TORSEN® DIFFERENTIAL HOUSING**



POSITION OF CENTER WASHERS
TO INSERT THRUST BLOCK



POSITION OF CENTER WASHERS
TO INSERT LH C-CLIP



POSITION OF CENTER WASHERS
TO INSERT RH C-CLIP