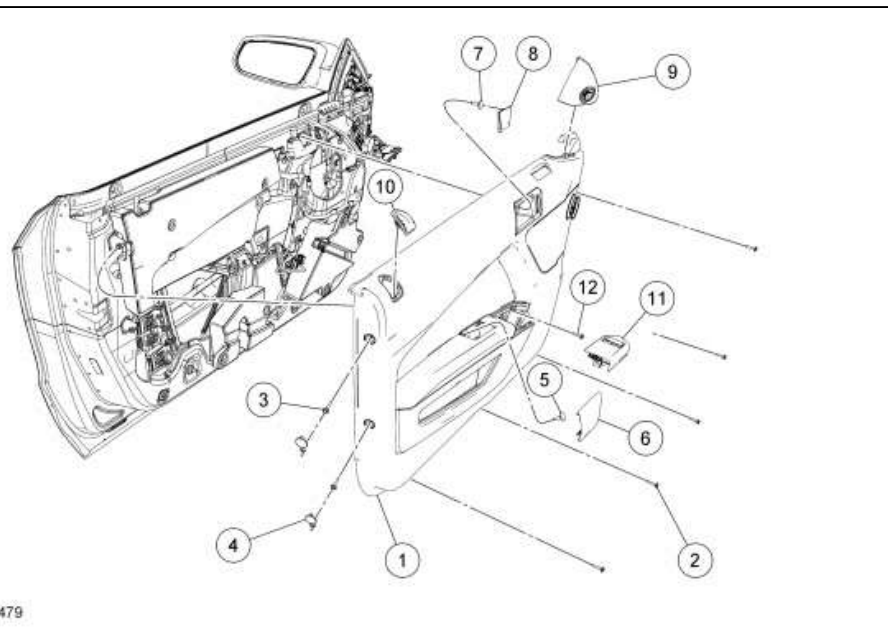


Door Trim Panel



N0100479

Item	Part Number	Description
1	23903 LH/ 23902 RH	Door trim panel
2	W714101	Door trim panel screw (5 required)
3	W714101	Door trim panel screw (2 required)
4	63219B	Door trim panel screw cap
5	N805651	Door trim panel bolt
6	6224057	Door trim panel handle cover
7	N805651	Door trim panel bolt
8	6322621	Interior door handle escutcheon
9	17D699 LH/ 17D698 RH	Sail panel
10	W709996	Door trim panel screw (8 required)
11	14A564	Window control switch
12	W714101	Door trim panel screw

Removal and Installation

1. Remove the sail panel.
 - If equipped, disconnect the exterior mirror control switch electrical connector.
2. Remove the interior door handle escutcheon and the door trim panel bolt.

3. Remove the door trim panel handle cover and the door trim panel bolt.
4. Remove the window control switch and disconnect the electrical connector.
5. Remove the 8 door trim panel screws and remove the door trim panel.
 - Disconnect the interior door handle actuating cable.
 - Disconnect the power door lock.
 - If equipped, disconnect the subwoofer electrical connector.
 - If equipped, disconnect the ambient light electrical connector.
6. To install, reverse the removal procedure.