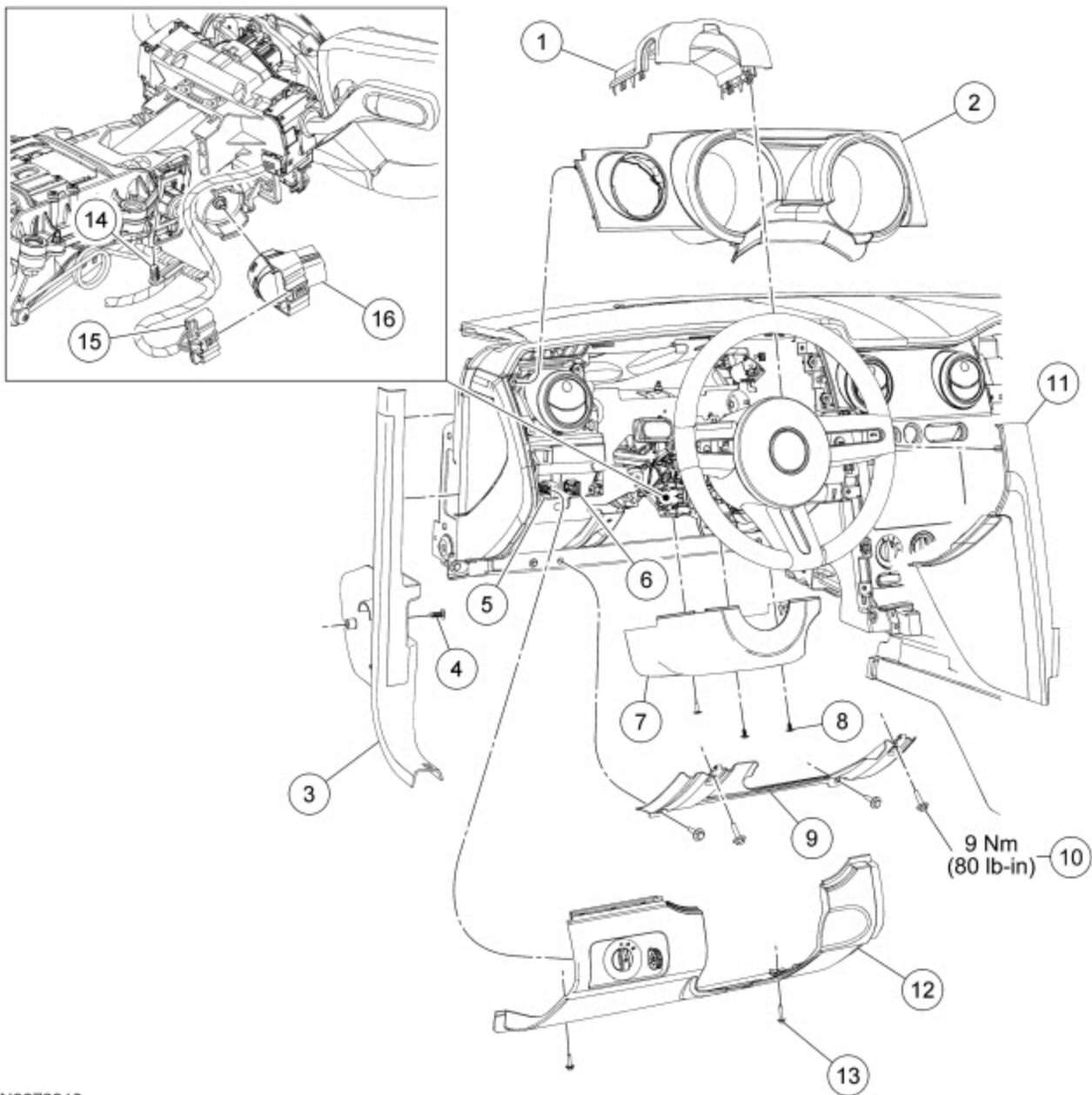


Ignition Switch



N0072313

Item	Part Number	Description
1	3530A	Upper steering column shroud
2	044D70	Instrument cluster finish panel
3	A30A64	LH A-pillar lower trim panel
4	W505156	LH A-pillar lower trim panel screw
5	—	Headlamp switch electrical connector (part of 14401)
6	—	Courtesy lamp switch electrical connector (part of 14401)
7	3530B	Lower steering column shroud
8	W707281	Lower steering column shroud screw (3 required)
9	04502	Steering column opening cover reinforcement
10	W505424	Steering column opening cover reinforcement bolt (4 required)

11	04608	Left center stack wing
12	04459	Steering column opening cover
13	W505156	Steering column opening cover screw (2 required)
14	—	Wiring harness retainer (part of 14401)
15	—	Ignition switch electrical connector (part of 14401)
16	11572	Ignition switch

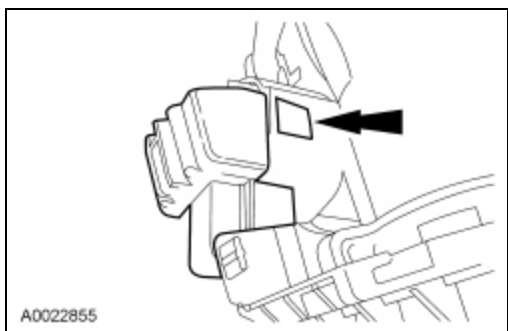
Removal and Installation

NOTICE: Do not remove the ignition lock cylinder and the ignition switch at the same time or damage to the column may result.

1. Depower the Supplemental Restraint System (SRS) . For additional information, refer to [Section 501-20B](#).
2. **NOTE:** *The instrument cluster finish panel is held in place with retaining clips that are attached to the bezel.*

Remove the instrument cluster finish panel.

3. Remove the floor console finish panel. For additional information, refer to [Section 501-12](#).
4. Remove the LH A-pillar lower trim panel.
5. Remove the left center stack wing.
6. Remove the 2 screws and the steering column opening cover.
 - Disconnect the headlamp and courtesy light switches electrical connectors.
7. Remove the 4 bolts and the steering column opening cover reinforcement.
 - To install, tighten to 9 Nm (80 lb-in).
8. Remove the upper steering column shroud by carefully pressing the sides inward.
9. Remove the 3 screws and the lower steering column shroud.
10. Disconnect the ignition switch electrical harness retainer.
11. Disconnect the ignition switch electrical connector.
12. Release the 2 locking tabs and remove the ignition switch.



13. To install, reverse the removal procedure.
14. Repower the SRS . For additional information, refer to [Section 501-20B](#).

