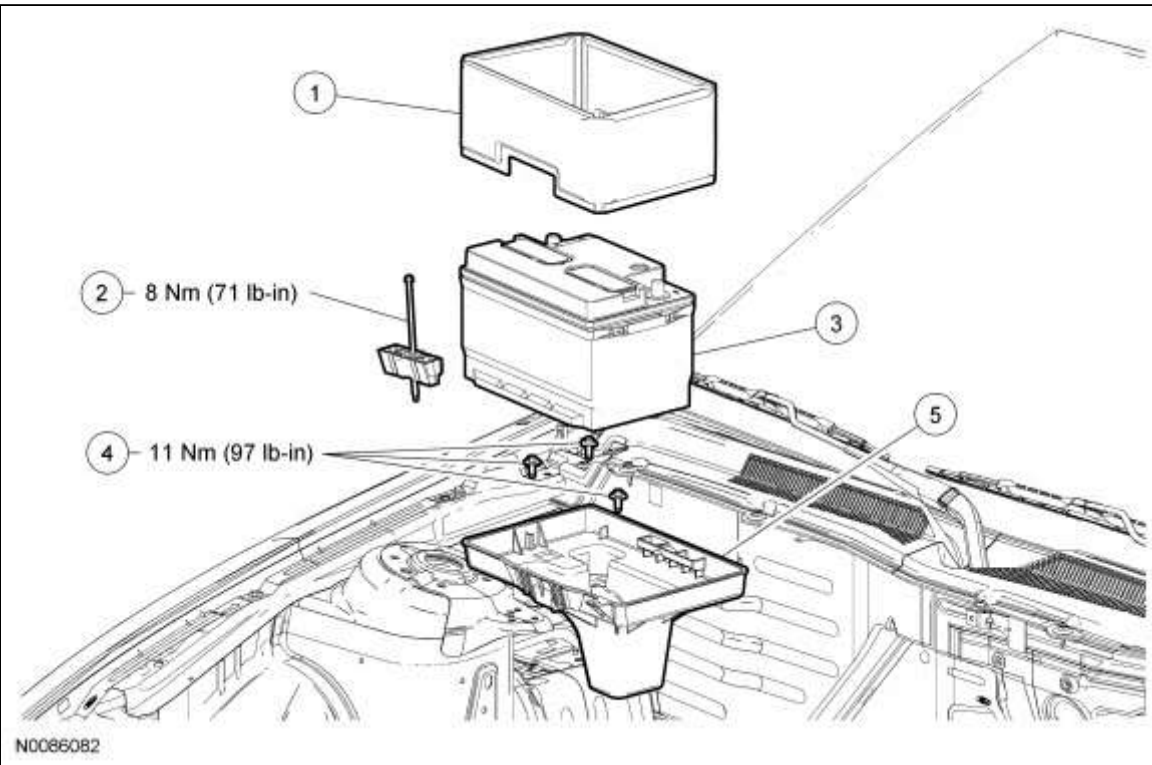


Battery and Battery Tray — Exploded View



Item	Part Number	Description
1	10A687	Battery heat shield
2	10756	Battery hold-down bolt/clamp
3	10655	Battery
4	W503923	Battery tray bolts (3 required)
5	10723	Battery tray

1. For additional information, refer to the procedures in this section.