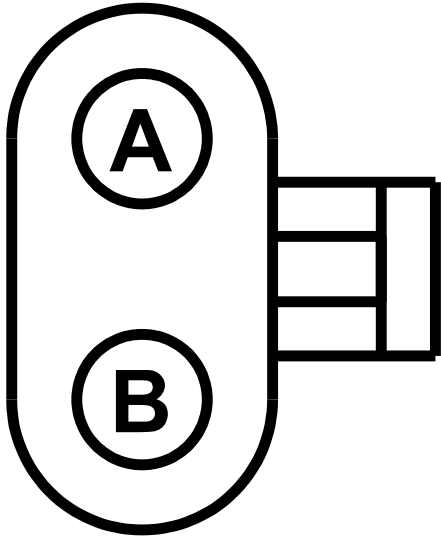


Connector:	Description	Color	Harness	Base Part #	Service Pigtail
C169	REVERSING LAMPS SWITCH		12B637	15520	See Below

Pin	Circuit	Gauge	Circuit Function	Qualifier
A	1789 (VT-WH)	20	Reversing lamps switch, signal	
B	359 (GY-RD)	20	Signal return	



Available Pigtail Kits	
Pigtail Kit Part Number: WPT-494 	Service Part Number: <b>3U2Z-14S411-NZA</b> Gauge: <b>18</b> Pin material: <b>Tin</b> Cavities: <b>2</b>  Vehicle Uses: <b>Switch - Backup Lamp</b> <b>Switch - Reverse Park Aid</b>