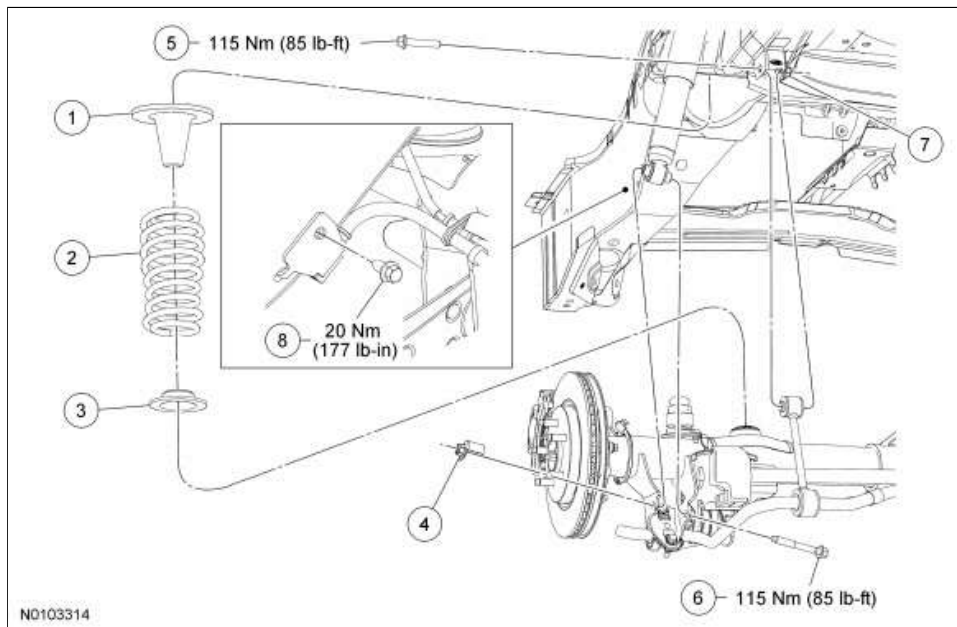


Spring — Coil

NOTE: Rear stabilizer bar equipped shown, non-equipped similar.



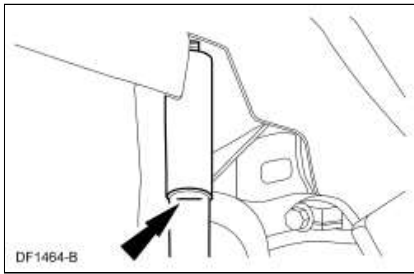
Item	Part Number	Description
1	5599	Upper spring insulator
2	5560	Spring
3	5536	Lower spring insulator
4	—	Shock absorber lower nut (part of service kit 18008)
5	W708737	Stabilizer bar link bolt
6	—	Shock absorber lower bolt (part of service kit 18008)
7	W712385	Stabilizer bar link nut
8	N802191	Brake hose bracket bolt

Removal

NOTICE: Suspension fasteners are critical parts because they affect performance of vital components and systems and their failure may result in major service expense. New parts must be installed with the same part numbers or equivalent part, if replacement is necessary. Do not use a replacement part of lesser quality or substitute design. Torque values must be used as specified during reassembly to make sure of correct retention of these parts.

All vehicles

1. To aid in installation, mark the rear shock absorber relative to the protective sleeve with the vehicle in a static, level ground position (curb height).



2. Remove the wheel and tire. For additional information, refer to [Section 204-04](#).

Convertible vehicles

3. Remove the rear support braces. For additional information, refer to [Section 502-00](#).

All vehicles

4. **NOTICE: Do not support the rear axle at the differential housing or damage to the housing may occur.**

Using 2 suitable jackstands, support the rear axle.

Vehicles with a rear stabilizer bar

5. Remove and discard both stabilizer bar link bolts and clip nuts.
6. Position the stabilizer bar to gain access to the shock absorber lower bolt.

All vehicles

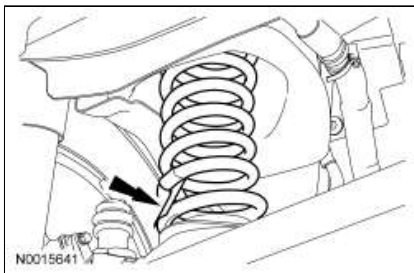
7. Remove and discard the shock absorber lower bolt and nut.
8. Remove the brake hose bracket bolt.
9. Lower the rear axle and remove the spring.
10. Inspect the upper and lower spring insulators for wear or damage. Install new insulators if necessary.

Installation

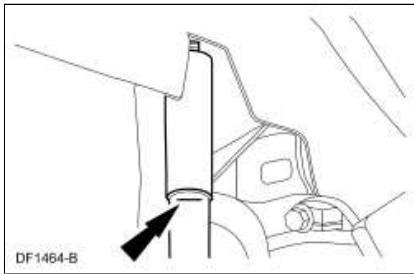
All vehicles

1. **NOTE:** *The springs are vehicle specific and are marked with a tag indicating the spring code. Make sure the new spring has the same spring code as the one being replaced. If the tag is not on the spring being replaced, look on the vehicle information label located on the driver's door for the spring code and compare that to the new spring code.*

Position the spring onto the axle with the tag toward the axle assembly.



2. Raise the rear axle so the mark made on the rear shock absorber in Removal Step 1 lines up with the protective sleeve.



3. **NOTICE:** Tighten the shock absorber lower bolt while the suspension is at curb height or bushing damage and incorrect clamp load may occur.

Install a new shock absorber lower bolt and nut.

- Tighten to 115 Nm (85 lb-ft).

4. Install the brake hose bracket bolt.

- Tighten to 20 Nm (177 lb-in).

Convertible vehicles

5. Install the rear support braces. For additional information, refer to [Section 502-00](#).

Vehicles with a rear stabilizer bar

NOTICE: The stabilizer bar is equipped with a tag. This tag indicates the LH side of the stabilizer bar. When installing a new stabilizer bar, make sure the tag is on the LH side of the vehicle or damage to the stabilizer bar may occur.

6. Position the stabilizer bar and links and install new stabilizer bar link bolts and clip nuts.

- Tighten to 115 Nm (85 lb-ft).