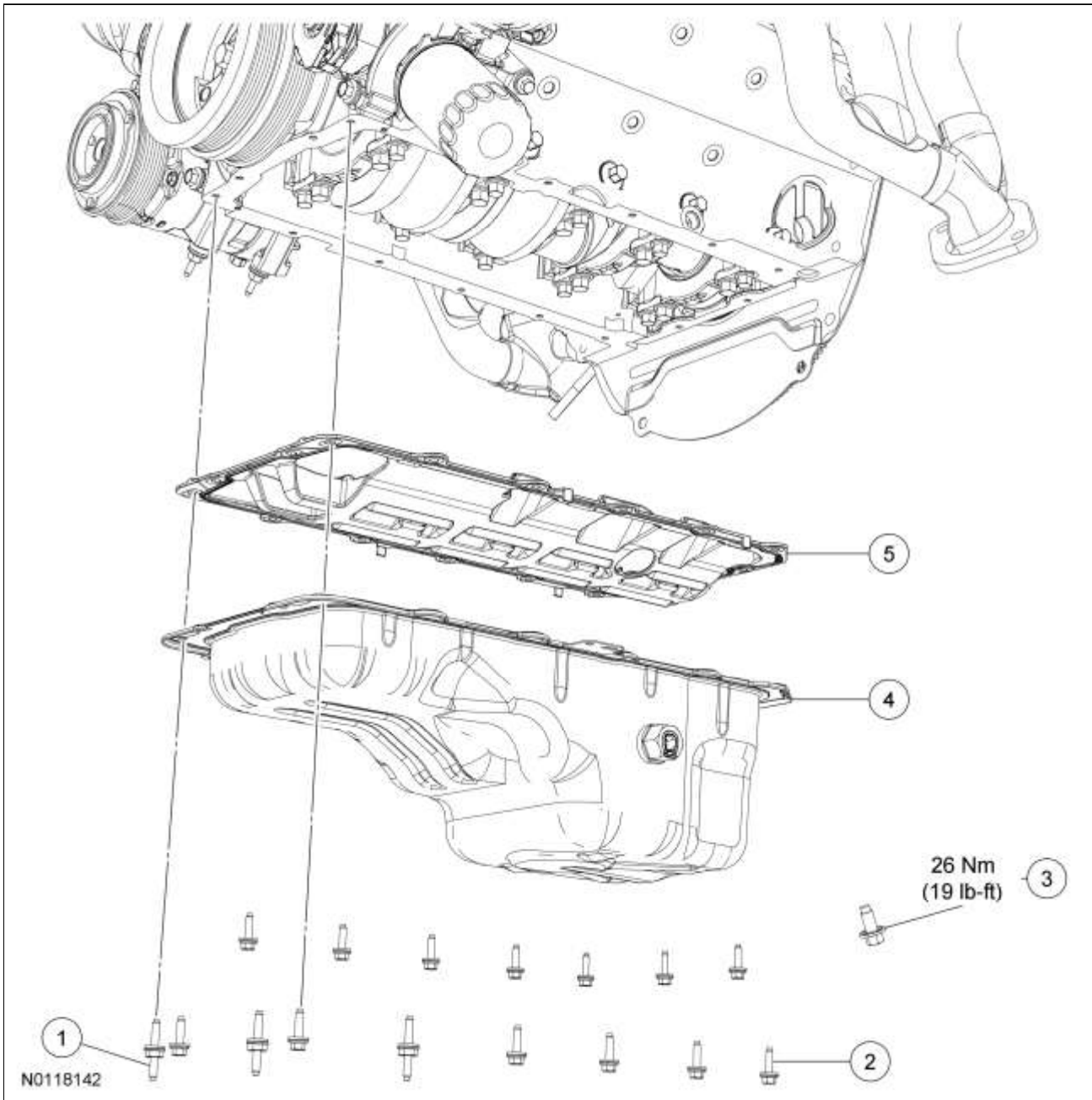


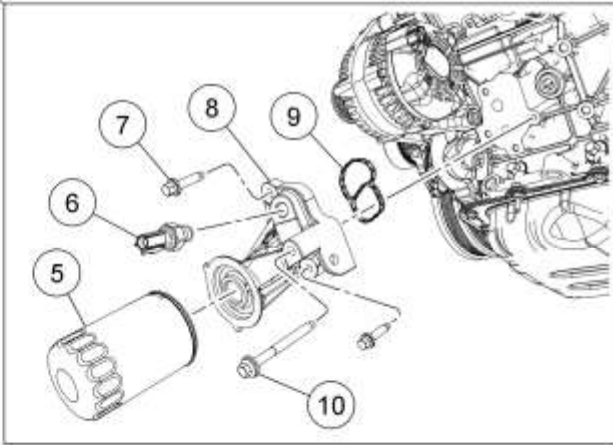
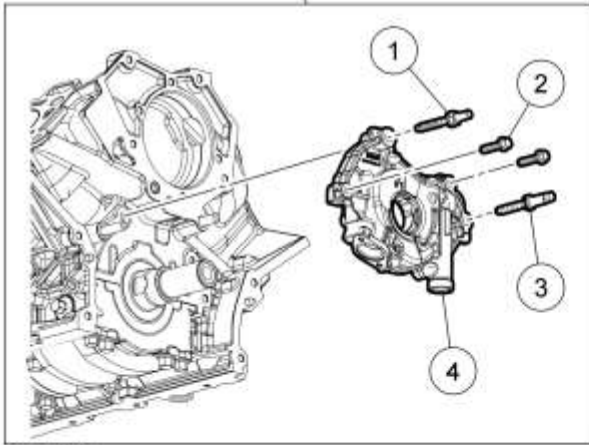
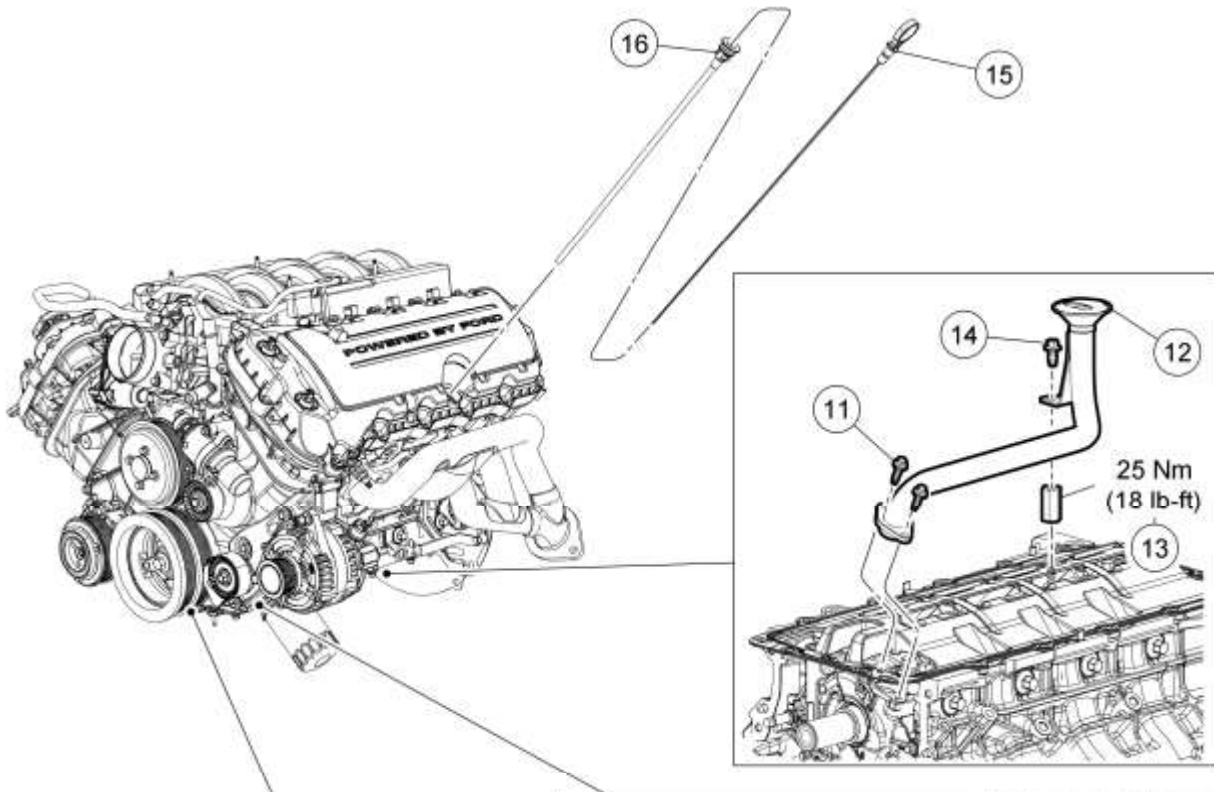
Engine Lubrication Components — Exploded View

Oil Pan



Item	Part Number	Description
1	W714963	Oil pan stud bolt (3 required)
2	W714962	Oil pan bolt (13 required)
3	—	Oil drain plug (part of 6675)
4	6675	Oil pan
5	6710	Oil pan baffle and gasket

Oil Pump, Oil Filter Adapter, Oil Pump Screen and Pickup Tube and Oil Level Indicator and Tube



N0115813

Item	Part Number	Description
1	W714251	Oil pump stud bolt
2	N806183	Oil pump bolt (2 required)
3	W714252	Oil pump stud bolt
4	6600	Oil pump
5	6731	Oil filter
6	9278	Engine Oil Pressure (EOP) switch
7	W714974	Oil filter adapter bolt (2 required)
8	6881	Oil filter adapter
9	6A636	Oil filter adapter gasket
10	W503306	Oil filter adapter bolt
11	W714962	Oil pump screen and pickup tube bolt (2 required)
12	6622	Oil pump screen and pickup tube
13	N806180	Oil pump screen and pickup tube spacer
14	N605904	Oil pump screen and pickup tube bolt

15	6750	Oil indicator
16	6754	Oil indicator tube

1. Refer to the procedures and/or exploded views in this section for any Warnings, Notices, Notes, Materials, Specifications, and Special Tools. Items in the exploded views may not be listed in order of removal.

© Copyright 2023, Ford Motor Company.
