

Door Glass

Removal

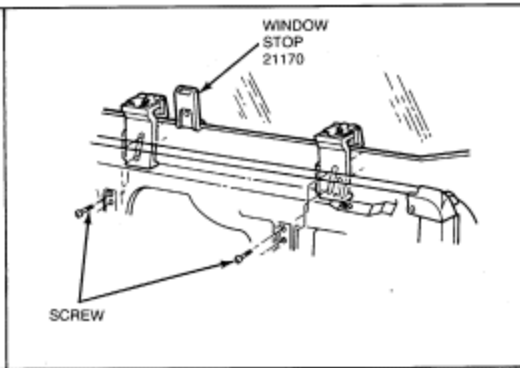
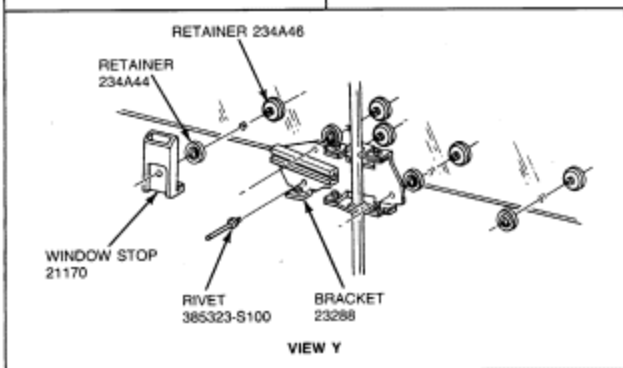
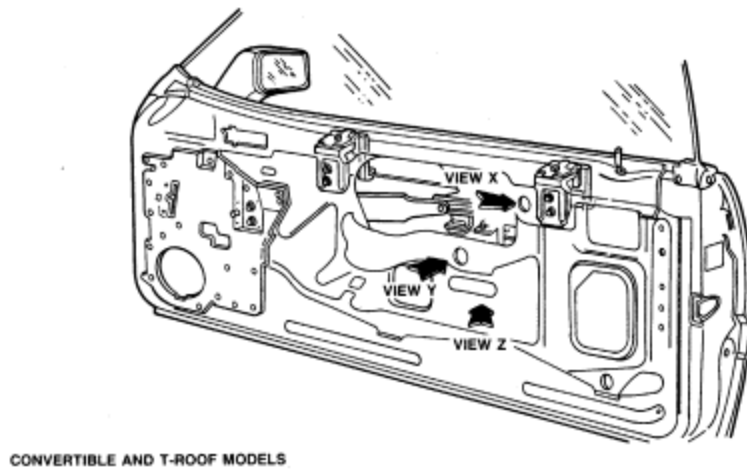
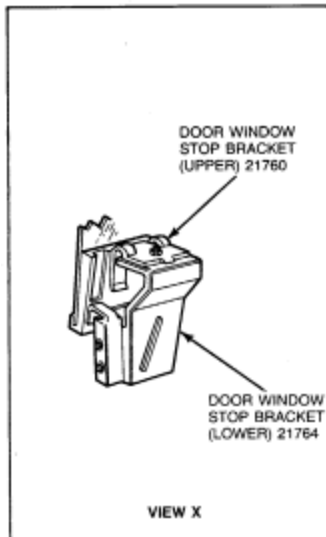
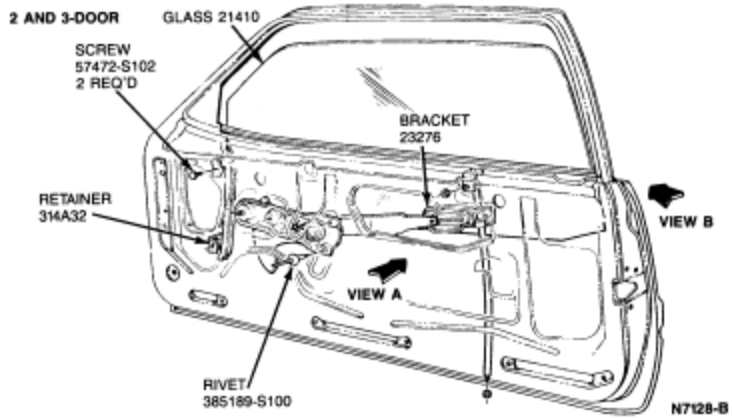
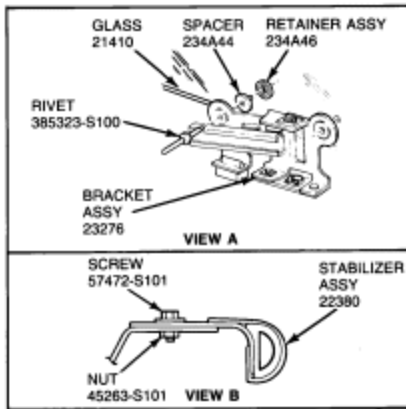
1. Remove the door trim panel and watershield. Refer to [Section 01-05](#).
2. Remove the screw attaching the door glass rear stabilizer and remove the stabilizer.
3. Loosen the two screws attaching the door glass front run retainer to the inner door panel.
4. Lower the glass to gain access to the glass bracket attaching rivets.

 **CAUTION: Use care when drilling out the rivet to prevent enlarging the bracket and spacer holes and damaging the retainer.**

5. Using a drift punch, remove the center pin of each rivet attaching the glass to the glass bracket. Using a 1/4-inch drill, drill out the remainder of the rivet.
6. Remove glass.

Installation

1. Install the spacer and retainer assemblies into the glass retention holes. Ensure that each assembly is securely fastened.
2. Insert the glass into the door between the door belt weatherstrips.
3. Position the glass to the glass bracket. Install two 1/4-inch blind rivets or two 1/4-20x1 inch hex-head bolts with two 1/4-20 nut and washer assemblies to attach the glass to the glass bracket. Tighten the bolt and nut to 4-7 Nm (3-5 lb-ft). Equivalent metric retainers may also be used.
4. Loosely install the rear stabilizer.
5. Set the door glass front run retainer on the glass and tighten the two screws.
6. Cycle the glass to check for proper operation.
7. When glass cycles properly, tighten the rear stabilizer retaining screw to 1.0-2.2 Nm (8-20 lb-in).
8. Install the door trim panel and watershield. Refer to [Section 01-05](#).



N7129-A

