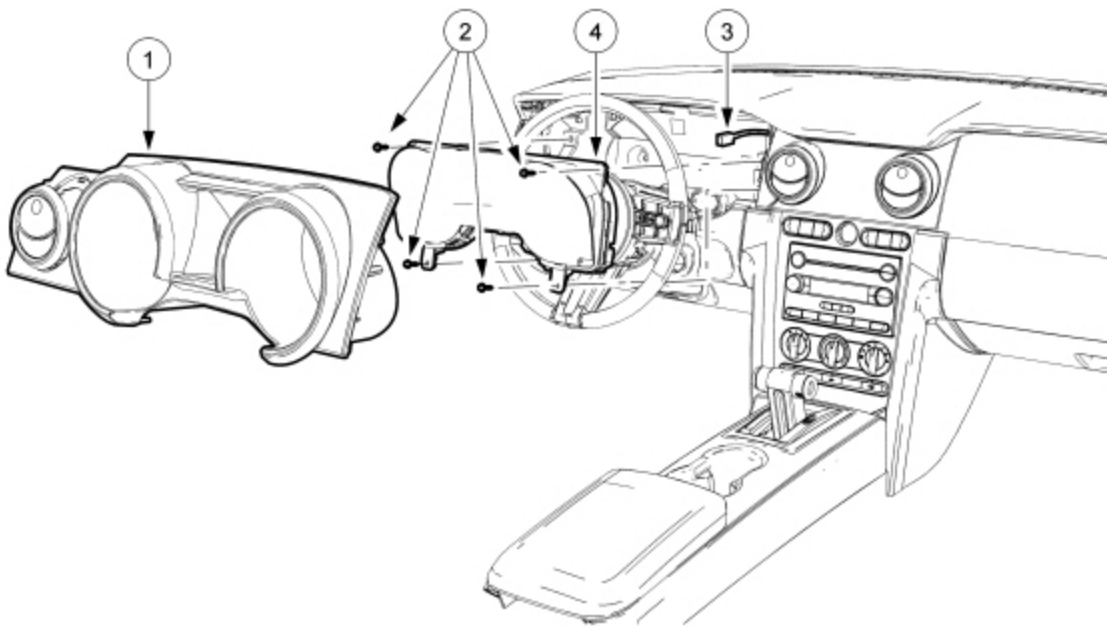


Instrument Cluster (IC)



N0009831

Item	Part Number	Description
1	63044D70	Instrument Cluster (IC) finish panel
2	W705314	IC screws (4 required)
3	—	IC electrical connector (part of 14401)
4	10849	IC

Removal and Installation

1. **NOTE:** If installing a new Instrument Cluster (IC) , it is necessary to upload the IC configuration information to the scan tool. For additional information, refer to [Section 418-01](#).

Depower the Supplemental Restraint System (SRS) . For additional information, refer to [Section 501-20B](#).

2. **NOTE:** The IC finish panel is held in place with retaining clips that are attached to the bezel.

Remove the IC finish panel.

3. Remove the 4 screws and the IC .

- Disconnect the electrical connector.

4. To install, reverse the removal procedure.

- If a new IC was installed, download the IC configuration information from the scan tool into the new IC . For additional information, refer to [Section 418-01](#).

