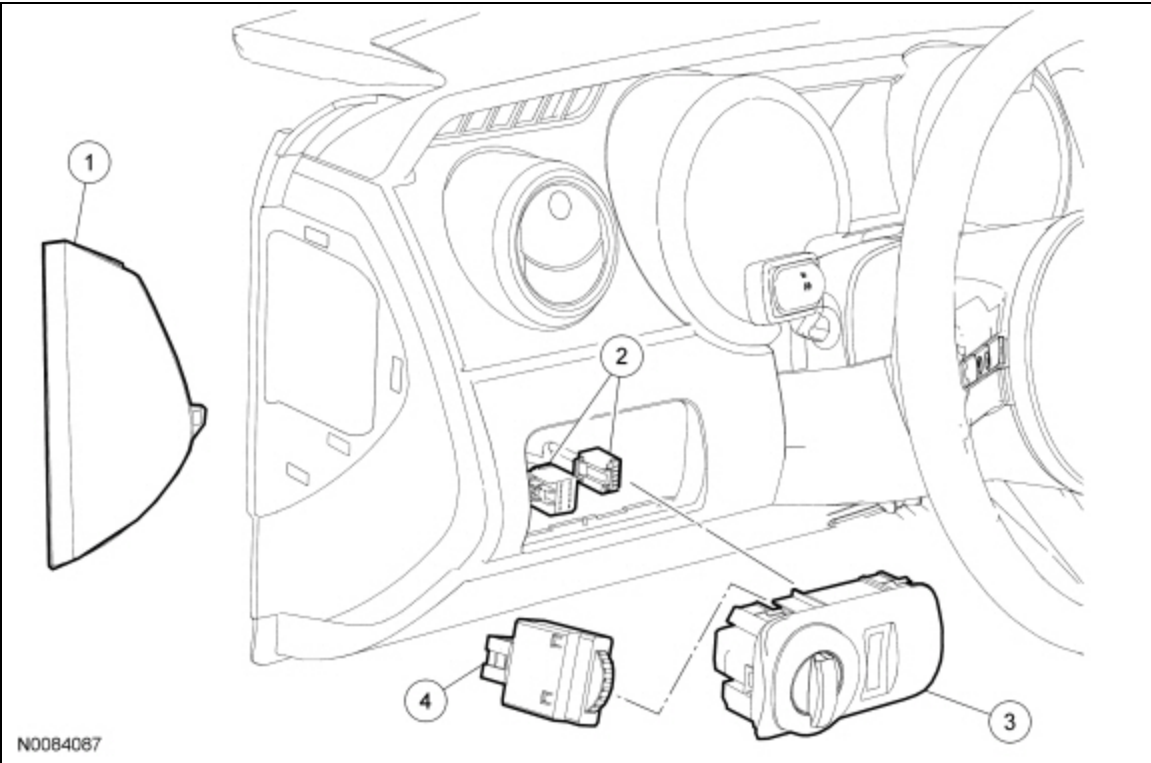


Instrument Panel Dimmer Switch



Item	Part Number	Description
1	6304481	Instrument panel side finish panel
2	11654	Headlamp switch
3	—	Headlamp switch electrical connectors (part of 14401)
4	11691	Instrument panel dimmer switch

Removal and Installation

1. Remove the instrument panel side finish panel.
2. **NOTE:** *The headlamp switch is removed by pushing from behind.*
Remove the headlamp switch.
 - Disconnect the electrical connectors.
3. **NOTE:** *The instrument panel dimmer switch is removed by releasing the tabs and pulling from behind.*
Release the tabs and remove the instrument panel dimmer switch assembly.
4. To install, reverse the removal procedure.

