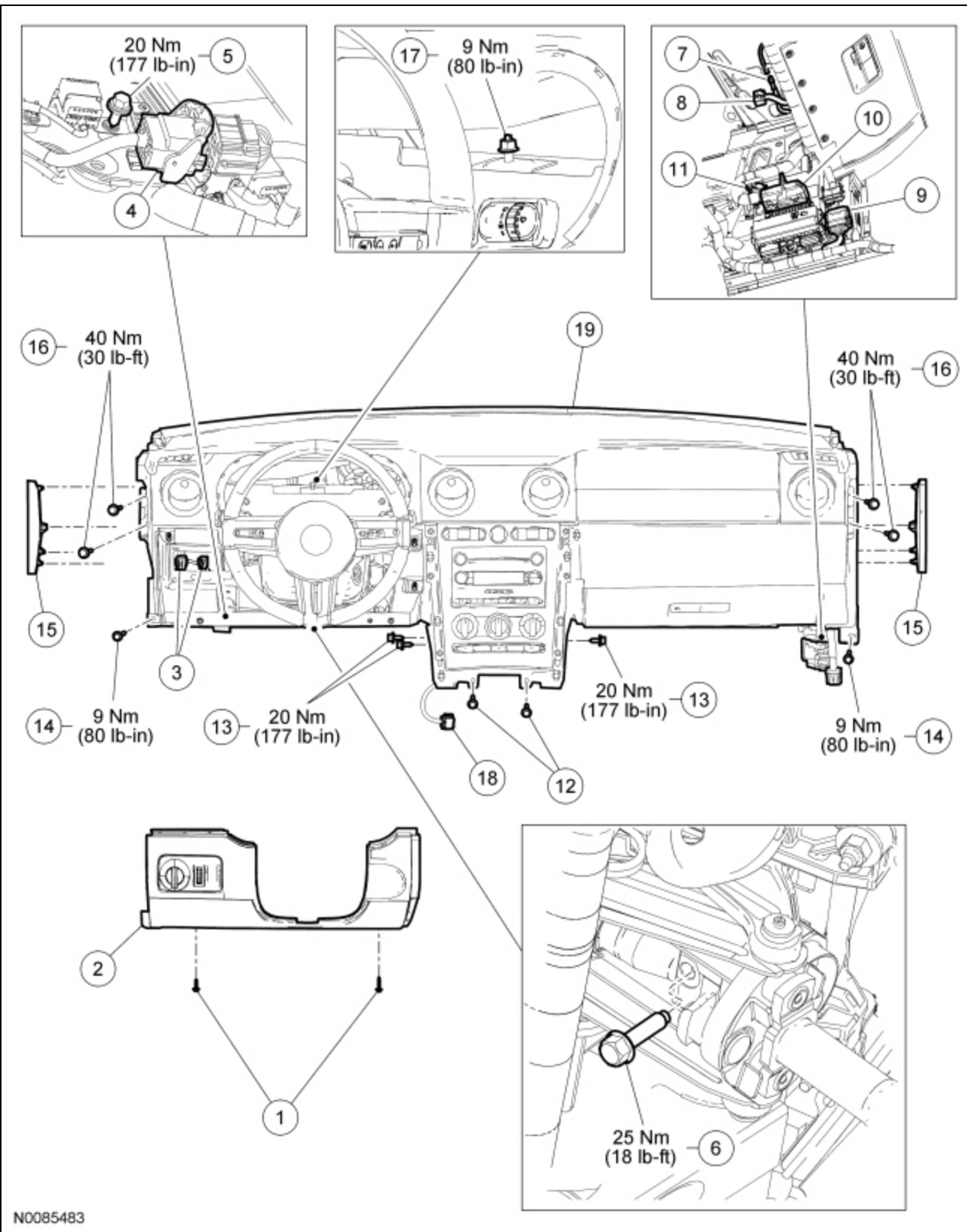


Instrument Panel — Exploded View



N0085483

Item	Part Number	Description
1	W505156	Steering column opening trim panel screws (2 required)
2	6304459	Steering column opening trim panel

3	—	Headlamp switch electrical connectors (2 required) (part of 14401)
4	—	Bulkhead electrical connector (part of 14401)
5	W711097	Instrument panel support bolt
6	W704980	Steering column shaft bolt
7	19A136	Antenna connector
8	—	Defrost mode actuator electrical connector (part of 14401)
9	—	Bulkhead electrical connector (part of 14401)
10	—	Smart Junction Box (SJB) electrical connector (part of 14401)
11	—	<u>SJB</u> electrical connector (part of 14401)
12	W711564	Instrument panel center support screws (2 required)
13	W711097	Instrument panel center support bolts (3 required)
14	18C298	Instrument panel lower support bolts (2 required)
15	6304481 / 6304480	Instrument panel end panels (2 required)
16	W711097	Instrument panel upper support bolts (4 required)
17	N811309	Instrument panel cowl top bracket nut
18	—	Restraints Control Module (RCM) small connector (part of 14401)
19	6304304	Instrument panel

1. For additional information, refer to the procedures in this section.

© Copyright 2023, Ford Motor Company.