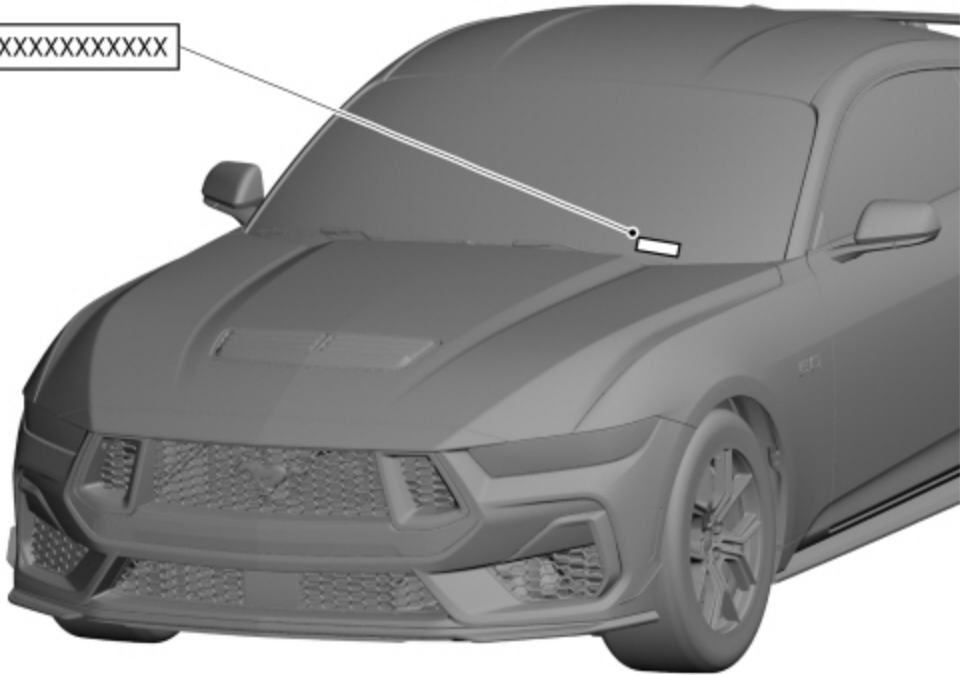


## Identification Codes

### VIN

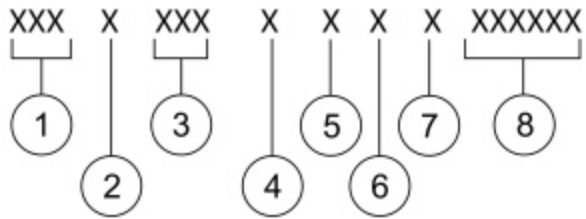
### VIN Locator

XXXXXXXXXXXXXXXXXXXX



E402226

The VIN is a 17-digit combination of letters and numbers. The VIN is stamped on a metal tab riveted to the instrument panel, top upper left of the dash. The VIN is also found on the VC label. If the VIN plate requires replacement, authorized dealers must contact their respective regional office.



E142389

Item	Description
1	WMI (World Manufacturer)
2	Restraint-type code
3	Vehicle line, series, body-type code
4	Engine-type code
5	Computer-generated check digit
6	Model year code
7	Assembly plant code
8	Production sequence number

**World Manufacturer Identifier**

The first 3 VIN positions are the WMI (world manufacturer identifier).

- 1FA - Ford Motor Company, USA, passenger car

**Restraint Type**

The fourth VIN position is the vehicle restraint type code.

- 6 - Active safety belts (all positions), driver and front passenger air bags, driver and front passenger knee inflatables, side inflatables 1st and 2nd row (Coupe)
- G - Active safety belts (all positions), driver and front passenger air bags, driver and front passenger knee inflatables, side inflatables 1st row (Convertible)

**Vehicle Line, Series and Body Type**

Positions 5 through 7 indicate vehicle line, series and body type.

- P8C - Mustang GT Coupe, LHD
- P8F - Mustang GT Convertible, LHD
- P8R - Mustang Dark Horse - LHD
- P8T - Mustang I4 Coupe, LHD
- P8U - Mustang I4 Convertible, LHD

## **Engine Type**

The eighth VIN position identifies the engine type, displacement and number of cylinders.

- F - 5.0L Ti-VCT (twin independent variable cam timing) V8, 4-valve, GT
- H - 2.3L EcoBoost
- 0 - 5.0L Ti-VCT (twin independent variable cam timing), 4-valve, DOHC , electronic fuel injection, Dark Horse

## **Check Digit**

The ninth VIN position is a government-assigned, computer-generated check digit.

- 0 - 9

## **Model Year**

The tenth VIN position is the model year code.

- R - 2024

## **Assembly Plant**

The eleventh digit identified the assembly plant code.

- 5 - Flat Rock Assembly, Flat Rock, Michigan (USA)

## **Production Sequence Number**

The last 6 VIN positions are a numeric code for the vehicle build sequence. This is also the vehicle serial and warranty number. The serial number can also be found on the engine block, transmission and frame.

- 100001 - 599999

## **VC Codes**

## **VC Label Locator**





8	Transmission code
9	Spring code
10	Powertrain calibration information

**Paint Code**

Paint codes are listed as a 2-part code. The first set of paint code numbers/letters indicate the vehicle primary body color. The second set of letters/numbers (if applicable) indicate a 2-tone or accent body color. All paint codes are a base coat/clear coat finish.

- AE - Grabber Blue Metallic
- B3 - Atlas Blue Metallic
- D4 - Rapid Red Metallic (tinted clear coat)
- E1 - Blue Ember Metallic
- G1 - Shadow Black
- HY - Dark Matter Gray Metallic
- JS - Iconic Silver Metallic
- K1 - Vapor Blue
- M7 - Carbonized Gray Metallic
- PQ - Race Red
- RH - Yellow Splash Metallic
- YZ - Oxford White

**Interior Trim Codes**

Interior trim codes are listed as a 2-part code. The first digit listed indicates the seat and fabric style. The second digit listed indicates the interior trim color.

**Trim Codes**

- 2 - Cloth/Vinyl seats
- 3 - Active-X Leather-Trimmed
- 5 - Leather Trimmed
- 9 - Leather-Trimmed
- A - Dinamica Cloth/Vinyl
- D - Cloth
- S - Recaro Leather-Trimmed
- W - Dinamica Perf Vinyl

**Interior Trim Color Codes**

- 3 - Carmine Red
- A - Black/Blue
- H - Space Gray
- J - Emberglo
- W - Black Onyx

**Tape/Paint Stripe Codes**

Hood tape/paint stripe codes are:

- 8 - Tarnish Dark Low Gloss/Gloss Black with Pattern
- A - Gloss Black with Pattern and Tarnish Dark Anodized Accent
- C - Tarnish Dark High Gloss/Tuxedo Black
- D - Gloss Gray/Semi-Gloss Black
- F - Matte Black with Red Accent
- K - Gloss Gray/Semi-Gloss Black
- N - Gray Scale Opacity Fade
- R - Black Step Opacity Fade
- S - Opacity Fade
- V - Opacity Fade
- W - Tarnish Dark High Gloss/Shadow Black
- X - Matte Black with Red Accent

Side tape/paint stripe codes are:

- D - Black Step Opacity Fade
- K - Gray Scale Opacity Fade

### **Radio Codes**

The following lists available radio codes:

- X - Mid FM tuner, SDARS (Satellite Digital Audio Receiver System) and HD (high-definition)

### **Axle Codes**

The axle codes and related gear ratios are:

- B - 3.73 ratio with TORSEN Axle
- D - 3.55 ratio
- T - 3.55 ratio with TORSEN Axle
- Y - 3.15 ratio

### **Transmission Codes**

Available transmissions are as follows:

- E - TREMEC 6-Speed Manual
- U - 10-Speed Automatic
- X - 6-Speed Manual

### **Spring Codes**

Spring codes are listed as a 2-part code. The first set of characters identify the front springs. The second set of characters identify the rear springs.

#### **Front Spring Codes**

- Base part number - 5310

#### **Rear Spring Codes**

- Base part number - 5560/5B859

**Powertrain Calibration Information**


MFD. BY FORD MOTOR CO.

DATE: XXXXX GVWR: XXXXXXXX/XXXXXXXXX  
 FRONT GAWR: XXXXXXXX/XXXXXXXXX REAR GAWR: XXXXXXXX/XXXXXXXXX

THIS VEHICLE CONFORMS TO ALL APPLICABLE FEDERAL MOTOR VEHICLE SAFETY, BUMPER, AND THEFT PREVENTION STANDARDS IN EFFECT ON THE DATE OF MANUFACTURE SHOWN ABOVE.

VIN: XXXXXXXXXXXXXXXXXXXX TYPE: XXXXXXXXXXXXXXXXXXXX  
 MAXIMUM LOAD = OCCUPANTS + LUGGAGE = XXXXXXXXXXXXX  
 OCCUPANTS = XXXXXXXXXX TOTAL: XXXXXXXXXX XXXXXXXXXX XXXXXXXXXX

TIRE (FR): XXXXXXXXXXXXXXXXXXXX RIMS (FR): XXXXXXXXXX  
 (RR): XXXXXXXXXXXXXXXXXXXX RIMS (RR): XXXXXXXXXX  
 PRESSURE (FR): XXXX kPa/XXX PSI COLD (RR): XXXX kPa/XXX PSI COLD



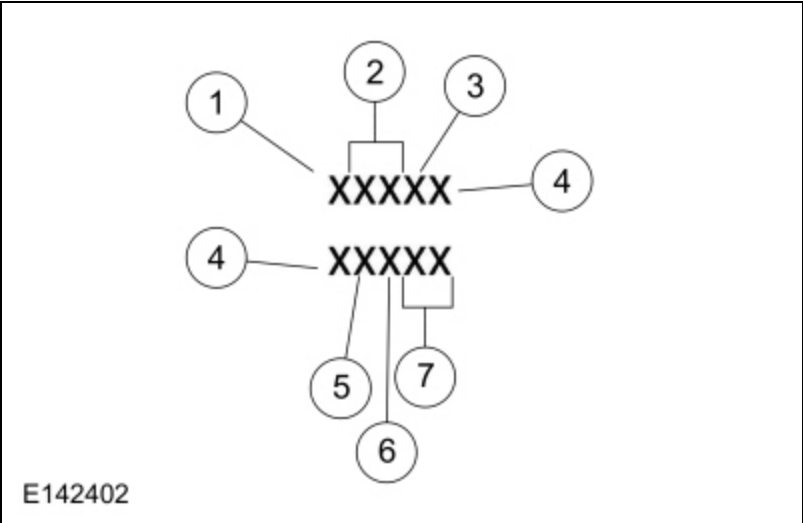
XXXXXXXXXXXXXXXXXXXX

TRAILER TOWING SEE OWNER GUIDE  
 EXT PNT: XXXXXX XXXXXX

INT TR	TP/PS	R	AXLE	TR	SPR	XXXXX	XXXXX
XX	XXX	X	XX	XX	XXXX	XXXXX	XXXXX
	XXXXXXXXXXXXXXXX			CMC			

E142391

**NOTE:** Powertrain calibration information is limited to a maximum of 5 characters per line on the VC label. Because of this, calibration identification consisting of more than 5 characters will wrap to the second line on the VC label.



Item	Description
1	Model year (year in which the calibration strategy was first introduced)
2	Vehicle code
3	Transmission code
4	Unique calibrations (designates different hardware to similar vehicles), example: tires or drive ratios



5	Fleet code (describes fleet to which the vehicle belongs), example: 6 - <u>EVAP</u>
6	Certification region (lead region where multiple regions are included in one calibration), example: A - U.S. federal
7	Revision level (will advance as revisions occur), obtained through scan tool

**Model Year**

- R - 2024

**Vehicle Code**

- ZG - Mustang

**Transmission Code**

- 1 - Manual transmission
- 2 - Automatic transmission

**Unique Calibration**

The Emission/Corporate Average Fuel Economy/CO2 Compliance Department is responsible for assigning these calibration numbers. Unique identifications are assigned to cover similar vehicles to differentiate between tires, drive configurations, final drive ratios and other calibration-significant factors. These 2 characters are chosen by the analyst to provide identifiable information unique to each calibration. For example, using the number 2 to denote a 2- valve engine versus using the number 4 to denote a 4-valve engine provides an easily identifiable difference.

**Fleet Coding**

- 0 - Certification (U.S. 4K, final sale in export markets)
- 1 - Heavy duty gas engine/Dyno
- 2 - Fast Automobile Manufacturers' Association, U.S.
- 3 - Alternative durability protocol, U.S.
- 4 - Not assigned
- 5 - Not assigned
- 6 - EVAP
- 7 - Mileage accumulation aging endurance durability
- 8 - OBD
- 9 - Not assigned

**Certification Region**

- 5 - U.S. 50 states
- A - U.S. federal, including altitude, may include Canada and/or Mexico
- B - U.S. California standard, includes U.S. green states
- C - Canada
- D - China
- E - European Community - Austria, Belgium, Denmark, Finland, France, Germany, Greece, Ireland, Italy, Luxembourg, Netherlands, Portugal, Spain, Sweden and UK (United Kingdom)
- F - EEC (European Extended Community) - E-plus Croatia, Czech Republic, Estonia, Hungary, Norway, Poland, Romania, Russian Federation, Slovakia, Slovenia, Switzerland and Yugoslavia
- G - GCC (Gulf Cooperative Council) - Bahrain, Kuwait, Oman, Qatar, Saudi Arabia and UAE (United Arab Emirates)

- H - Hong Kong
- J - Japan
- K - Korea
- L - Malaysia
- M - Mexico
- N - New Zealand
- P - Australia
- Q - South America - Brazil
- S - Singapore
- T - Taiwan
- U - South America - unleaded fuel regions
- V - Vietnam
- X - ROW (Rest Of World)
- Y - Military
- Z - Israel

**Revision Level (not printed on label)**

- 91-99 - Hardware and certification levels
- 01-04 - Preliminary levels
- 00 - Job 1 production (initial certification)
- 05-09 - Pre-job 1 revisions to calibrations
- 10-89 - Post-job 1 revisions to calibrations
- 0B - Durability test level
- BD - OBD intermediate level (pre-05)