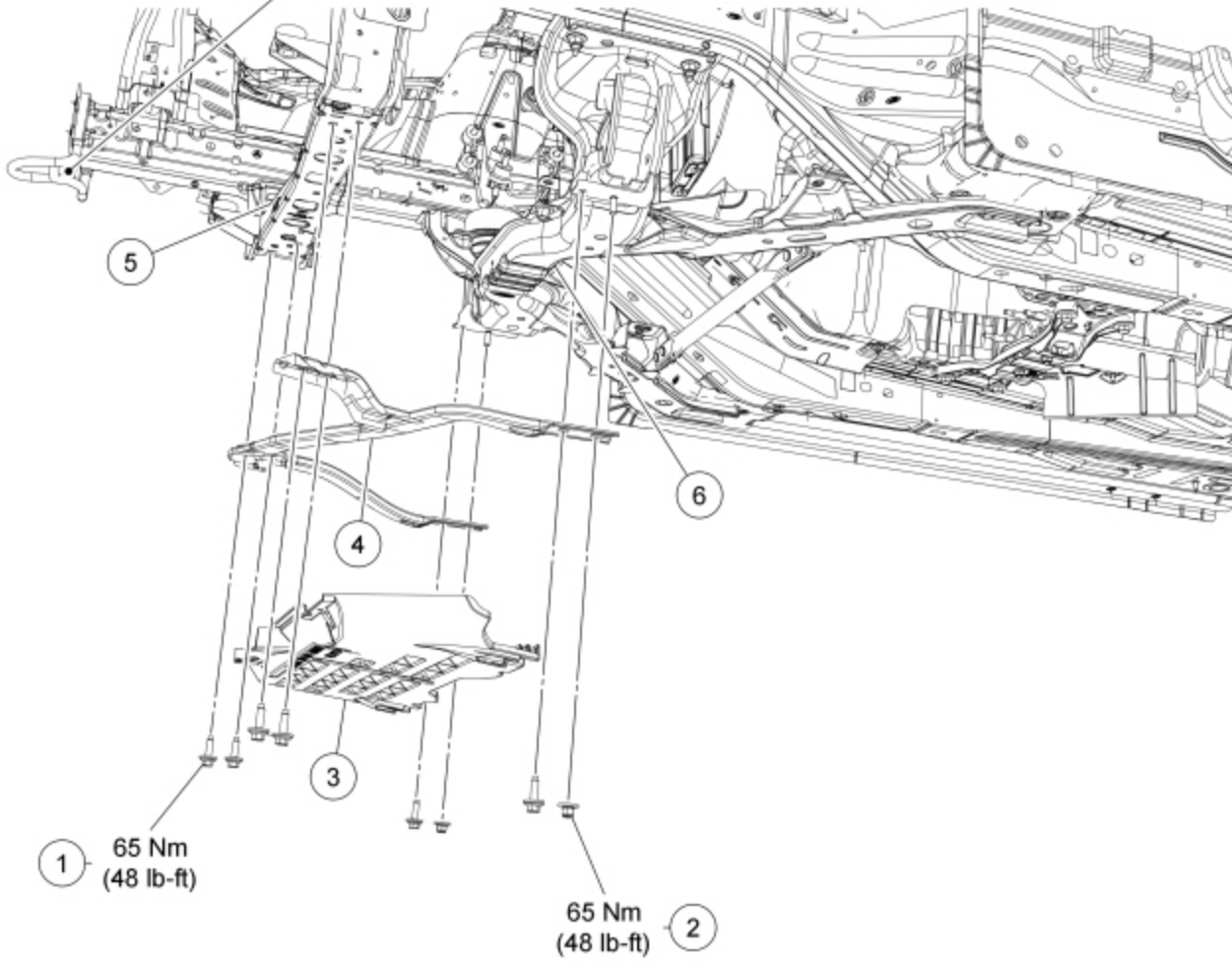
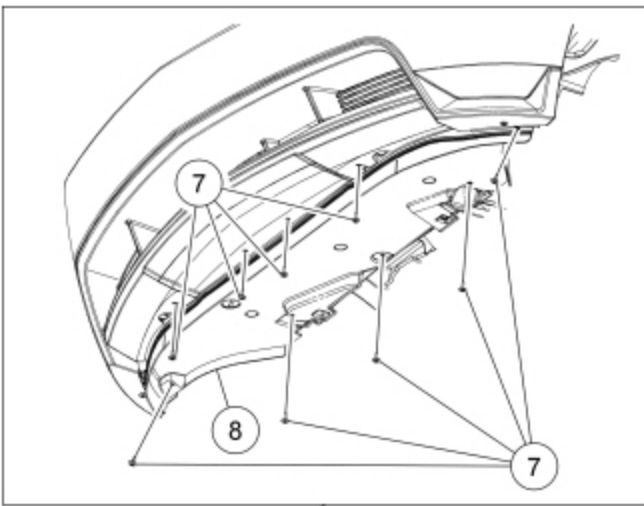


Crossmember Brace — Exploded View



N0123065

Item	Part Number	Description
1	W714780	Crossmember brace bolts
2	W711553	Crossmember brace nuts
3	—	Crossmember brace cover (part of 108A02)
4	108A02	Crossmember brace
5	5019	Crossmember — front
6	5025	Subframe — front
7	W715060	Front splash shield screws (9 required)
8	17626	Front splash shield

1. Refer to the procedures and/or exploded views in this section for any Warnings, Notices, Notes, Materials, Specifications, and Special Tools. Items in the exploded views may not be listed in order of removal.