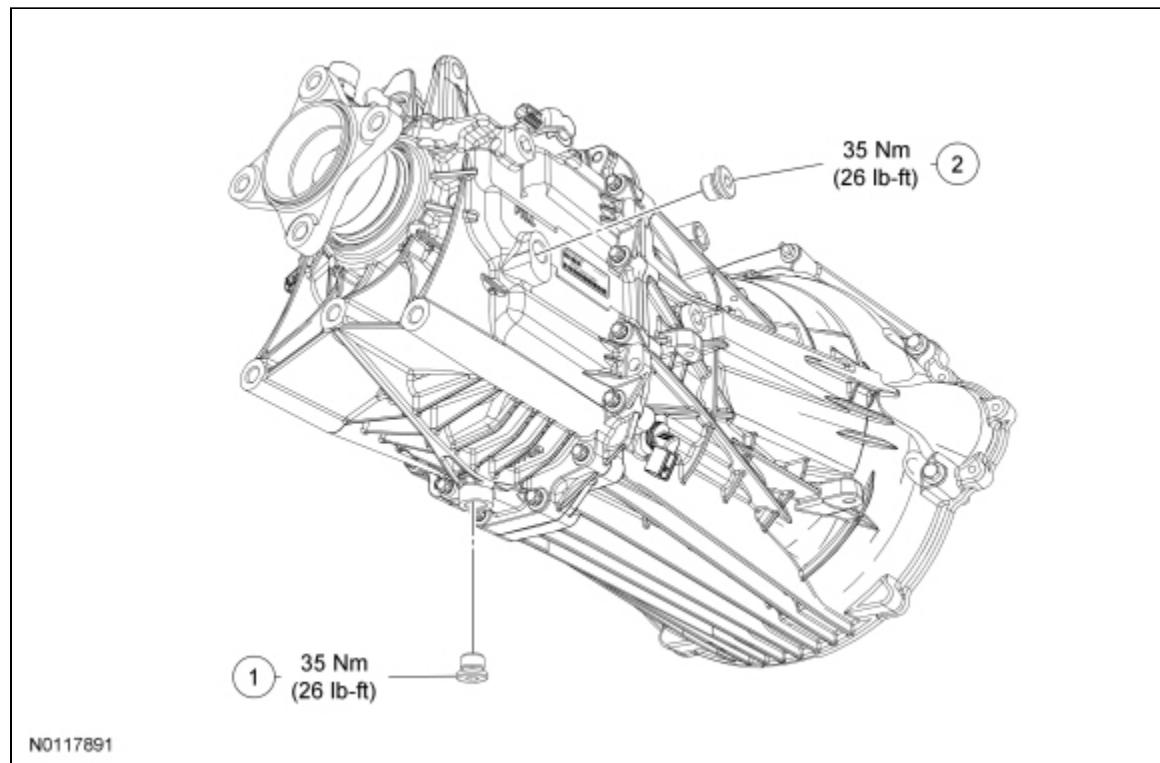


### Transmission Draining and Filling

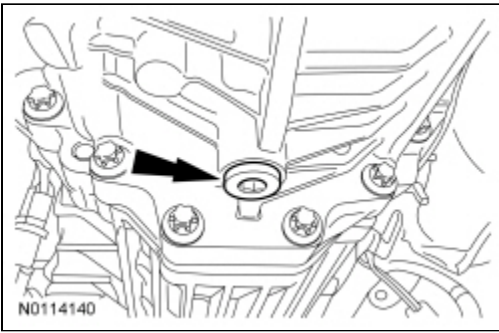
#### Material

Item	Specification
Motorcraft® Dual Clutch Transmission Fluid XT-11-QDC	WSS-M2C200-D2



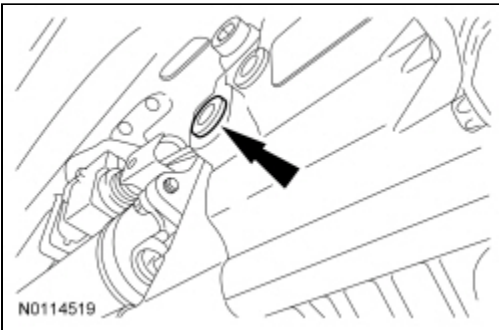
Item	Part Number	Description
1	W701065	Drain plug
2	W701065	Fill plug

1. With the vehicle in NEUTRAL, position it on a hoist. For additional information, refer to [Section 100-02](#).
2. Remove the drain plug and drain the fluid.



3. Install the drain plug.
  - Tighten to 35 Nm (26 lb-ft).
4. **NOTE:** *Prior to removal, clean the area around the fill plug.*

Remove the fill plug.



5. **NOTICE:** **The use of any other transmission fluid than specified can result in the transmission failing to operate in a normal manner or transmission failure.**

**NOTE:** *Do not overfill the transmission. This will cause transmission fluid to be forced out of the case.*

Using a suitable oil suction gun, fill the transmission with the recommended fluid.

- Transmission capacity is 2.6L (2.7 qt).
6. Install the fill plug.
    - Tighten to 35 Nm (26 lb-ft).

