

Ford Service Manuals

[Ford® Official Site](#) Compare any Ford Vehicle to the Competition on the Official Site. [www.Ford.com](#)
[Repair Windows](#) Find 5-Star Rated Window Pros Backed By Our Service Guarantee! [www.1800Contractor.com](#)
[Power Distribution Units](#) Large PDU selection. In stock. Basic, Metered, Switched & more. [triplite.com/PDUs](#)

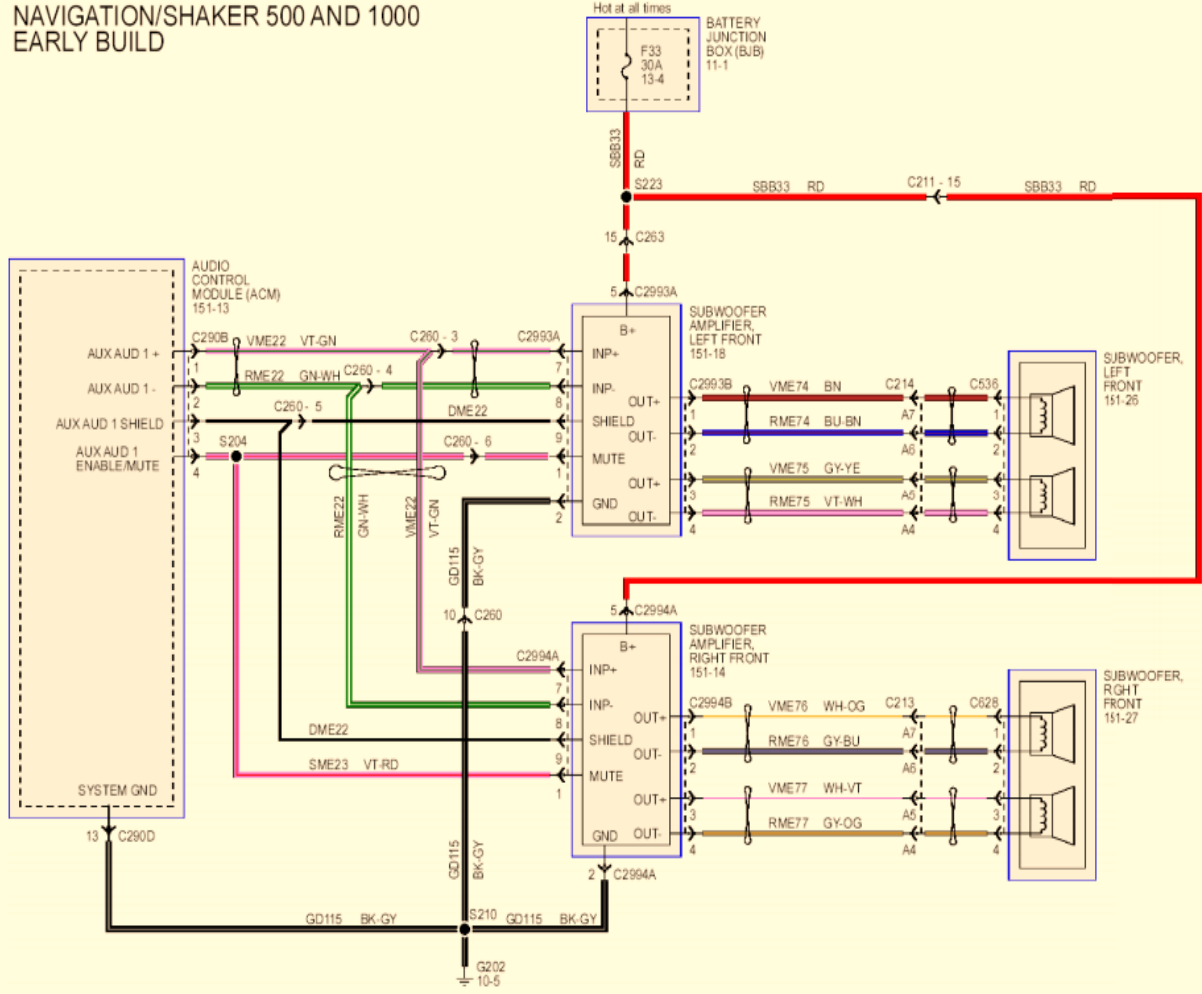
Path -- Root » 2011 » Wiring Diagrams
 ↑ Parent dir

- 003 - Introduction
- 004 - Symbols
- 005 - Connector Repair Procedures
- 009 - Wiring Harness Overview
- 010 - Grounds
- 011 - Fuse and Relay Information
- 012 - Charging System
- 013 - Power Distribution-SJB
- 014 - Module Communications Network
- 020 - Starting System
- 024 - Electronic Engine Controls - 5.0L
- 025 - Electronic Engine Controls - 5.4L
- 026 - Electronic Engine Controls - 3.7L
- 030 - Transmission Controls - 6R80
- 031 - Cruise Control
- 033 - Cooling Fan
- 037 - Shift Interlock
- 042 - Vehicle Dynamic Systems
- 043 - Power Steering Controls
- 044 - Horn - Cigar Lighter
- 046 - Supplemental Restraint System
- 054 - Manual Climate Control System
- 055 - Automatic Climate Control System
- 056 - Heated Window
- 060 - Instrument Cluster
- 071 - Cluster and Panel Illumination
- 081 - Wipers and Washers
- 085 - Headlamps and Autolamps
- 086 - Fog Lamps
- 089 - Interior Lamps
- 090 - Turn Signal and Stop and Hazard Lamps

Page 2 of 13

2011 Mustang - Cell130

NAVIGATION/SHAKER 500 AND 1000
 EARLY BUILD



AdChoices ▾