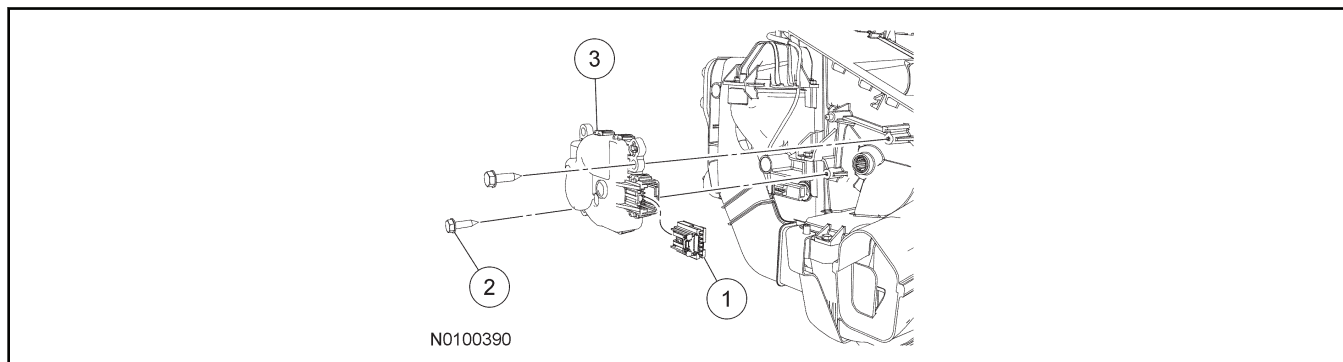


## Temperature Blend Door Actuator — LH



| Item | Part Number | Description  |
|------|-------------|--|
| 1    | —           | LH temperature blend door actuator electrical connector (part of 18B574) |
| 2    | W701696     | LH temperature blend door actuator screw (2 required)                    |
| 3    | 19E616      | LH temperature blend door actuator                                       |

### Removal and Installation

**NOTE:**

The LH temperature blend door actuator can be accessed from below the LH side of the instrument panel to the right of the accelerator pedal.

1. Disconnect the LH temperature blend door actuator electrical connector.
2. Remove the 2 LH temperature blend door actuator screws.
3. Remove the LH temperature blend door actuator.
4. To install, reverse the removal procedure.
5. **NOTE:**  
The purpose of the module actuator position calibration is to allow the HVAC module to reinitialize and calibrate the actuator stop points. To carry out calibration, carry out the following steps.  
  
Remove Smart Junction Box (SJB) fuse 15 for at least one minute.
6. **NOTE:**  
When the ignition switch is switched to the ON position, the HVAC module will initialize and calibrate the actuators. Calibration of the actuators will take approximately 30 seconds.  
  
Reinstall SJB fuse 15. Turn the ignition switch to the ON position and wait 30 seconds before verifying correct LH temperature blend door actuator operation.