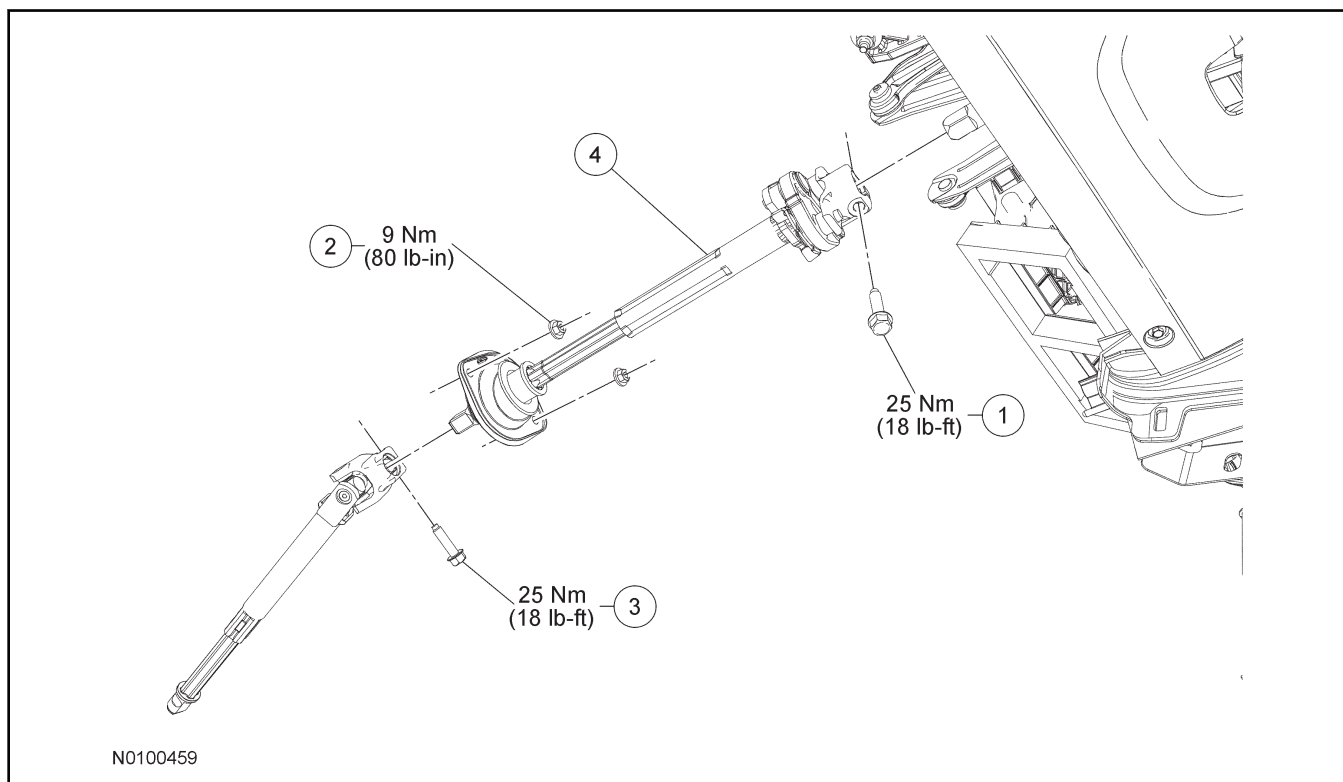


Steering Column Shaft — Upper



Item	Part Number	Description
1	W704980	Steering column shaft-to-steering column bolt
2	W707137	Dash boot bearing nut (2 required)
3	W704980	Lower steering column shaft-to-upper steering column shaft bolt
4	3E751	Upper steering column shaft

Removal and Installation

NOTICE:

Do not allow the steering column to rotate while the steering column shaft is disconnected or damage to the clockspring may result. If there is evidence that the steering column shaft has rotated, the clockspring must be removed and recentered. For additional information, refer to Section 501-20B.

- With the vehicle in NEUTRAL, position it on a hoist. For additional information, refer to Section 100-02.
- Place the steering wheel in the straight-ahead position and turn the ignition switch to the OFF position.
- Remove and discard the lower steering column shaft-to-upper steering column shaft bolt.
 - To install, tighten the new bolt to 25 Nm (18 lb-ft).
- Remove the 2 dash boot bearing nuts.
 - To install, tighten to 9 Nm (80 lb-in).
- Remove and discard the steering column shaft-to-steering column bolt.
 - To install, tighten the new bolt to 25 Nm (18 lb-ft).
- Collapse the steering column shaft slightly and remove the upper steering column shaft.
- To install, reverse the removal procedure.