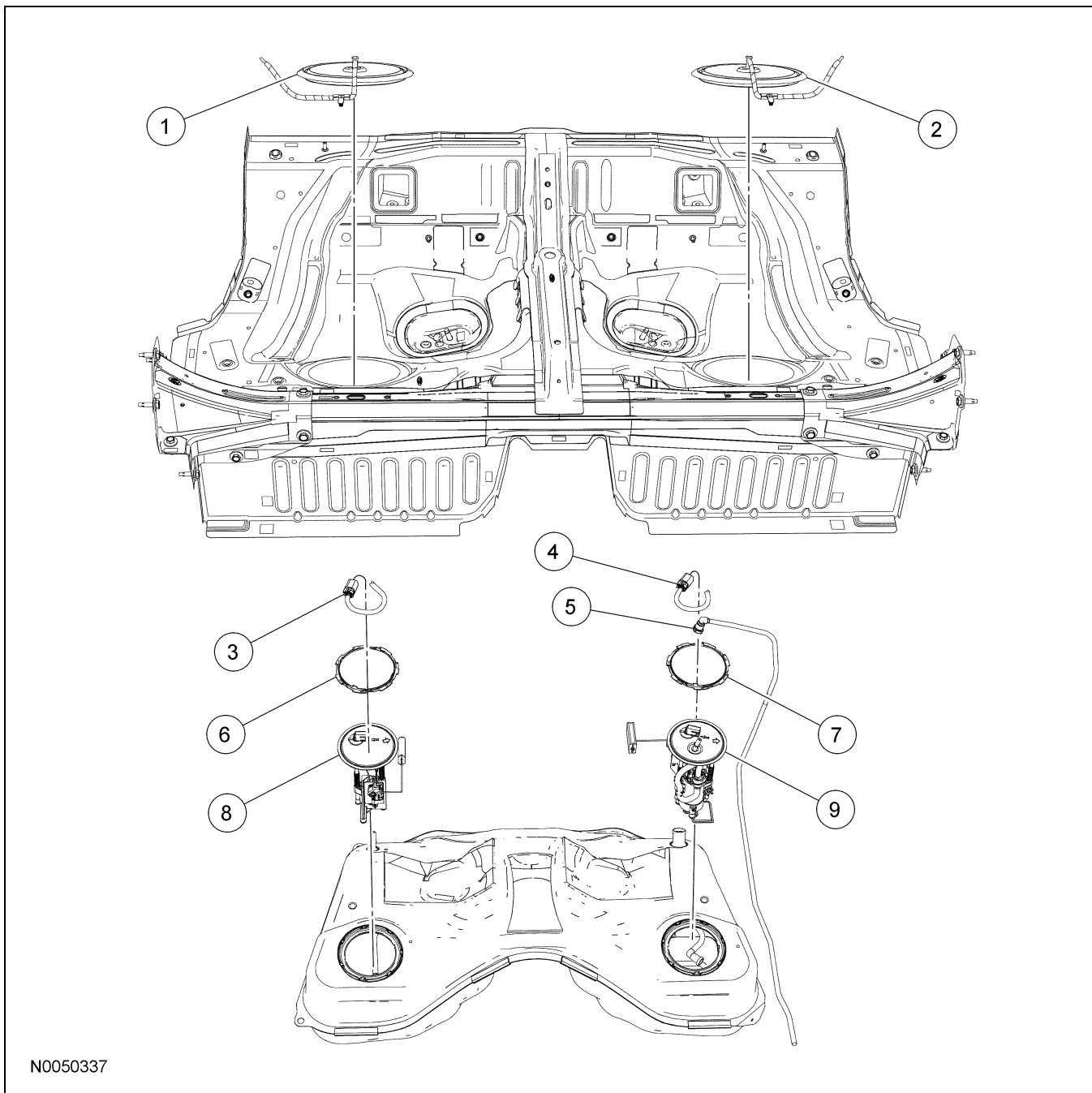


REMOVAL AND INSTALLATION

Fuel Tank and Filler Pipe — Exploded View



N0050337

Item	Part Number	Description
1	9C335A	Fuel level sensor access cover
2	9C335A	Fuel pump (FP) module access cover
3	14A474	Fuel level sensor electrical connector

(Continued)

Item	Part Number	Description
4	14A474	FP module electrical connector
5	—	Rear fuel supply tube-to-FP module quick connect coupling (part of 9J279)
6	9C385	Fuel level sensor lock ring

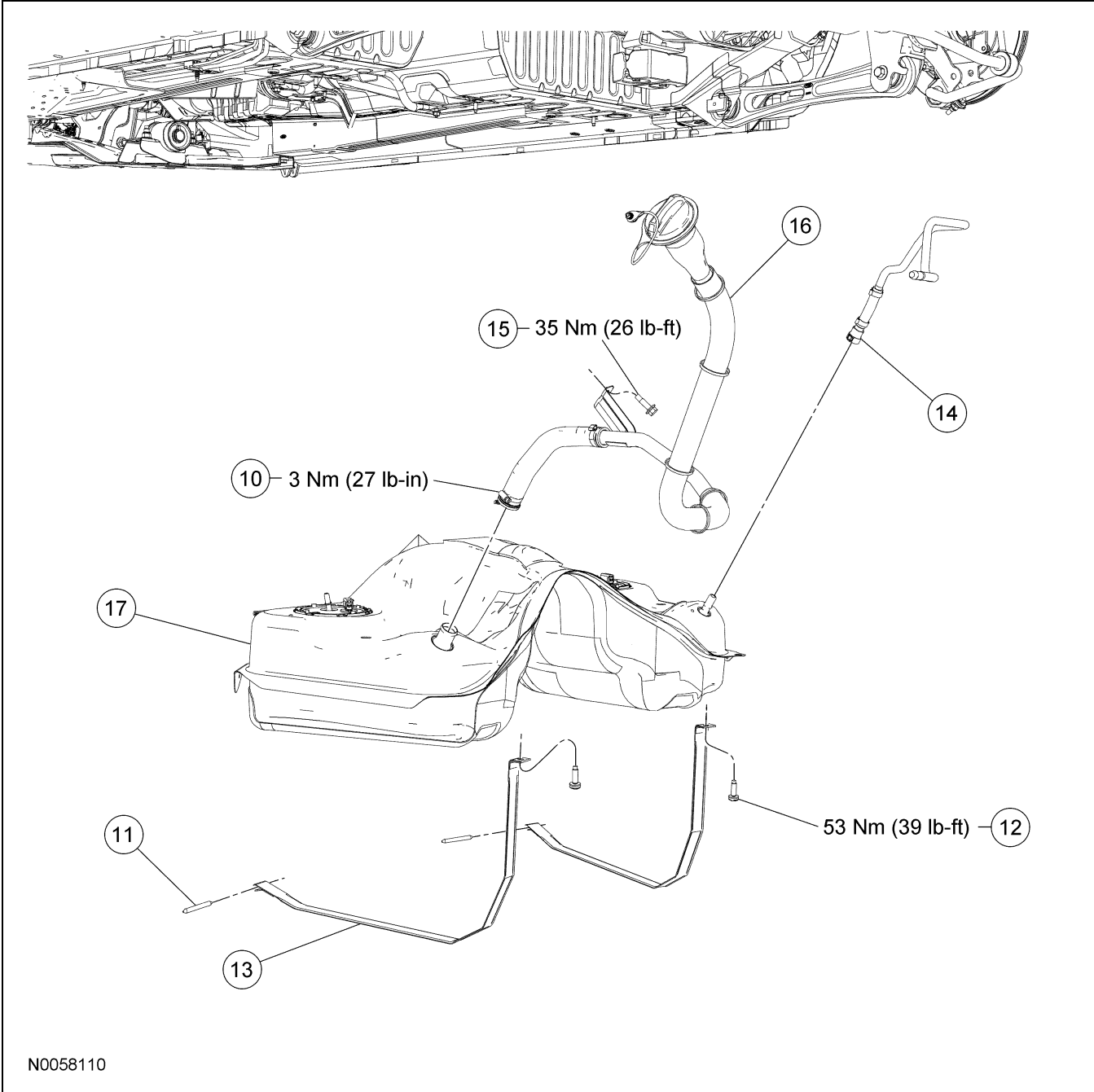
(Continued)

REMOVAL AND INSTALLATION (Continued)

Item	Part Number	Description
7	9C385	FP module lock ring
8	9275	Fuel level sensor

Item	Part Number	Description
9	9H307	FP module

(Continued)



N0058110

Item	Part Number	Description
10	W525937	Fuel tank filler hose-to-fuel tank clamp
11	W710861	Fuel tank strap retainer pin (2 required)

Item	Part Number	Description
12	W710947	Fuel tank strap retainer bolt (2 required)
13	9055	Fuel tank strap (2 required)

(Continued)

(Continued)

REMOVAL AND INSTALLATION (Continued)

Item	Part Number	Description
14	—	Fuel vapor control tube assembly valve-to fuel tank quick connect coupling (part of 9E325)
15	W506033	Fuel tank filler pipe bracket bolt

(Continued)

Item	Part Number	Description
16	9034	Fuel tank filler pipe
17	9002	Fuel tank

1. For additional information, refer to the procedures in this section.