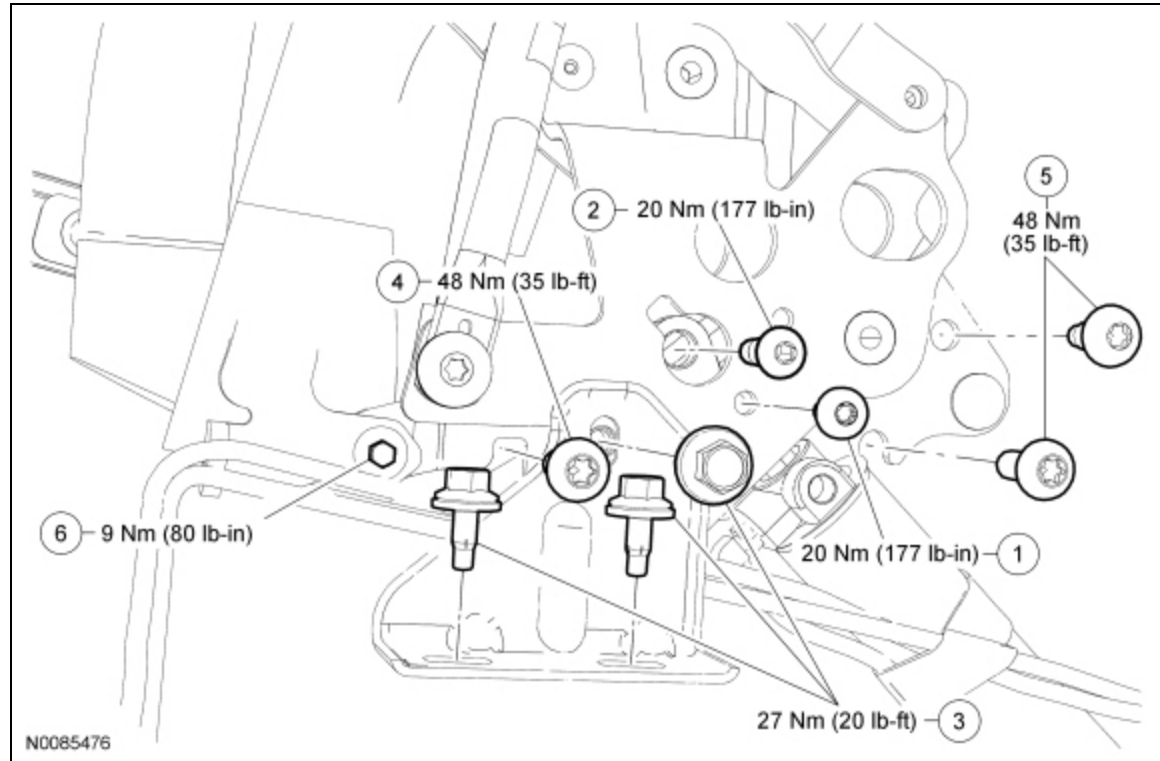


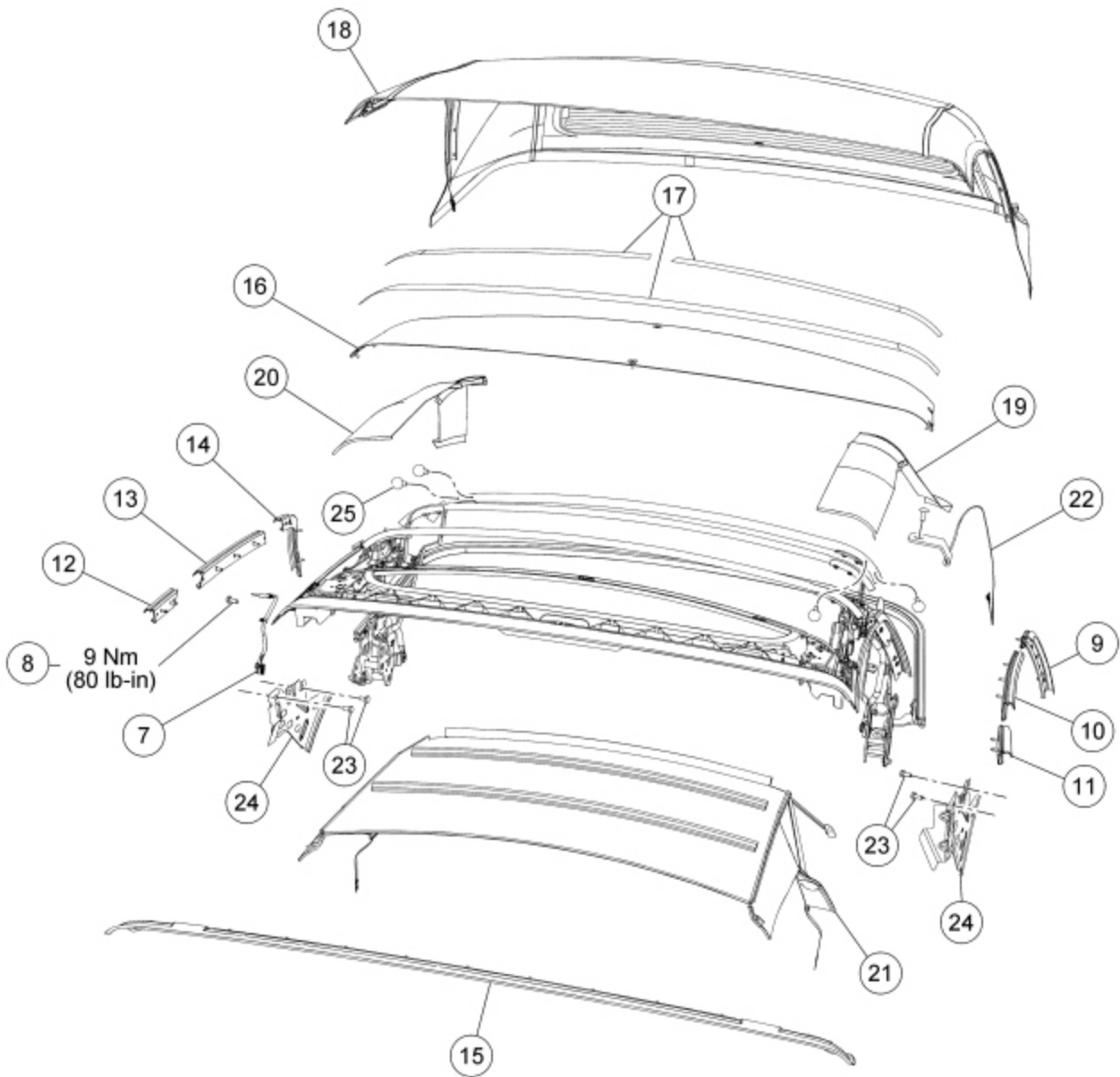
Convertible Top — Exploded View

Convertible Top Assembly (View 1 of 3)



Item	Part Number	Description
1	W709053	Hydraulic lift cylinder bracket bolt (2 required)
2	N808519	Clevis-to-hydraulic lift cylinder rod bolt (2 required)
3	W711423	L-bracket bolts (6 required)
4	W711772	Pivot bracket rear bolt (2 required)
5	W711393	Pivot bracket front bolts (4 required)
6	W506413	Convertible top frame No. 5 bow pivot bolt (2 required)

Convertible Top Assembly (View 2 of 3)

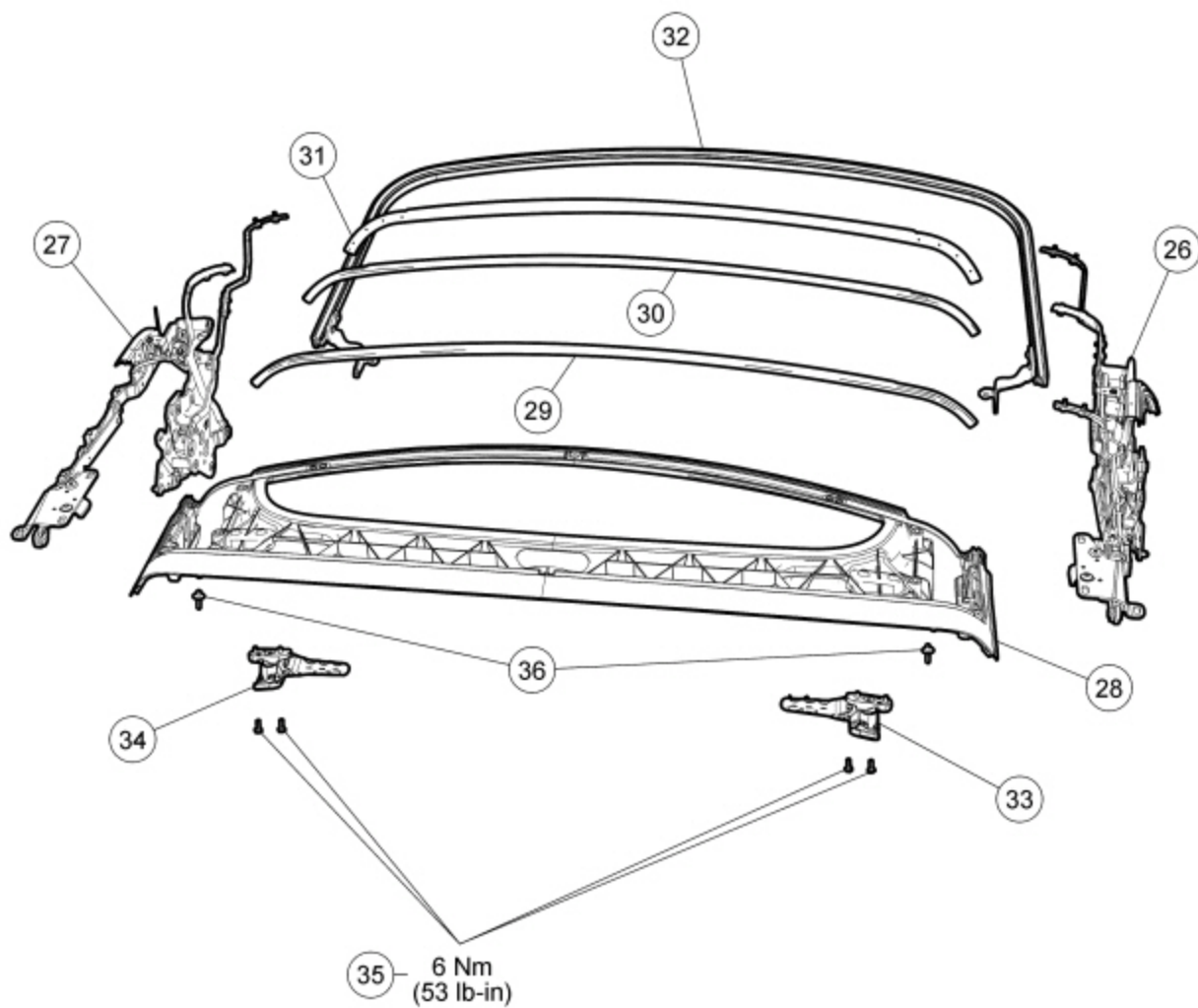


N0082388

Item	Part Number	Description
7	14018	Convertible top ajar switch
8	—	Convertible top ajar switch screw
9	51555	LH rear weatherstrip retainer channel
10	51561	LH center weatherstrip retainer channel

11	51543	LH front weatherstrip retainer channel
12	51542	RH front weatherstrip retainer channel
13	51560	RH center weatherstrip retainer channel
14	51554	RH rear weatherstrip retainer channel
15	514A34	Compression panel
16	—	Header form panel (part of 7653038)
17	—	Double-sided tape
18	52700	Top cover assembly
19	54212	LH stay pad
20	54213	RH stay pad
21	51916	Convertible top headliner
22	52806 RH/ 52807 LH	Convertible top tension cable
23	W710918	Pivot bracket-to-quarter panel bracket bolts (6 required)
24	28126 RH/ 28127 LH	Pivot bracket-to-quarter panel brackets
25	W707504	Rivet (37 required)

**Convertible Top Assembly (View 3 of 3)**



N0086444

Item	Part Number	Description
26	53105	Convertible top frame LH side rail
27	53104	Convertible top frame RH side rail
28	53024	Convertible top frame No. 1 bow
29	51274	Convertible top frame No. 2 bow

30	51269	Convertible top frame No. 3 bow
31	52178	Convertible top frame No. 4 bow
32	52188	Convertible top frame No. 5 bow
33	50508 -B	LH convertible top latch
34	50508 -A	RH convertible top latch
35	—	Convertible top latch screws (4 required)
36	514A38	Dowel pins (2 required)

1. For additional information, refer to the procedures in this section.