

## SECTION 303-03A Engine Cooling

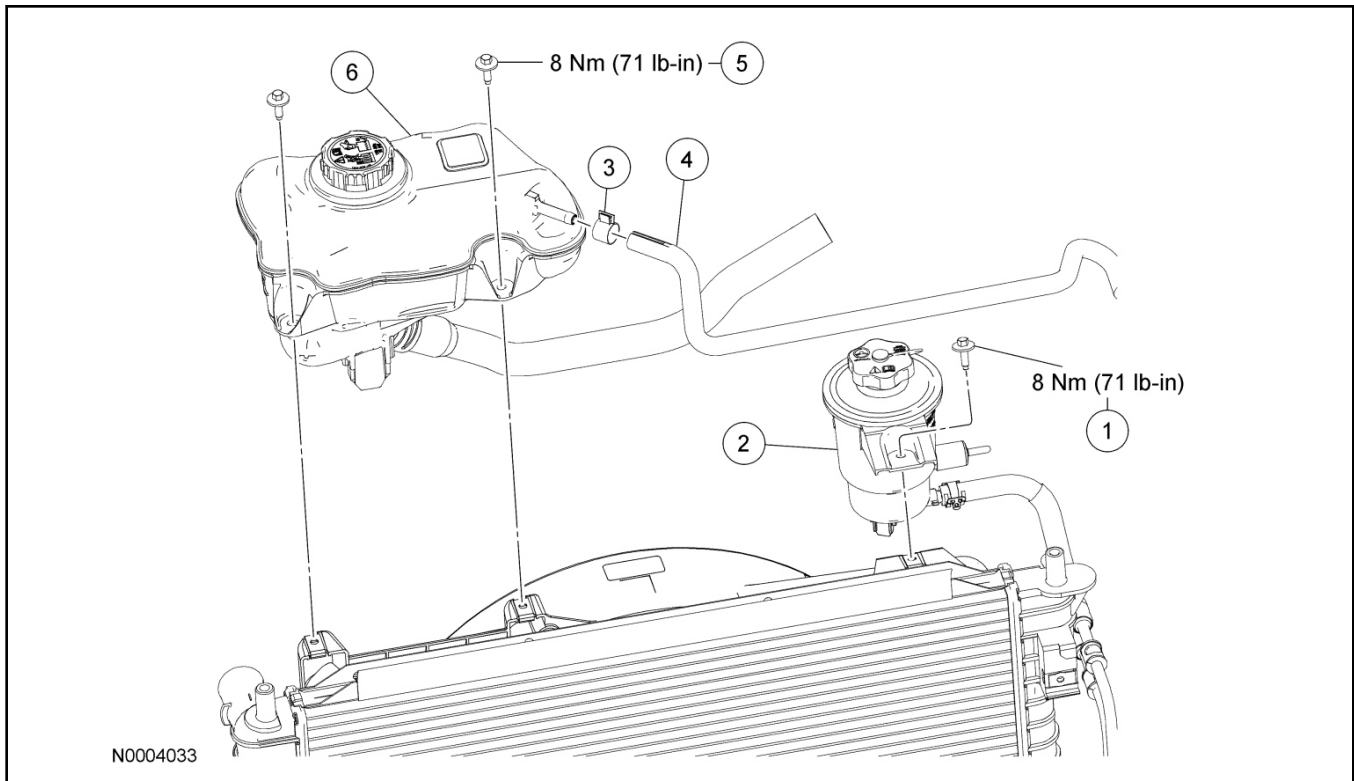
### CONTENTS

### PAGE

Cooling Fan Motor and Shroud .....	303-03A-2
------------------------------------	-----------

## Cooling Fan Motor and Shroud

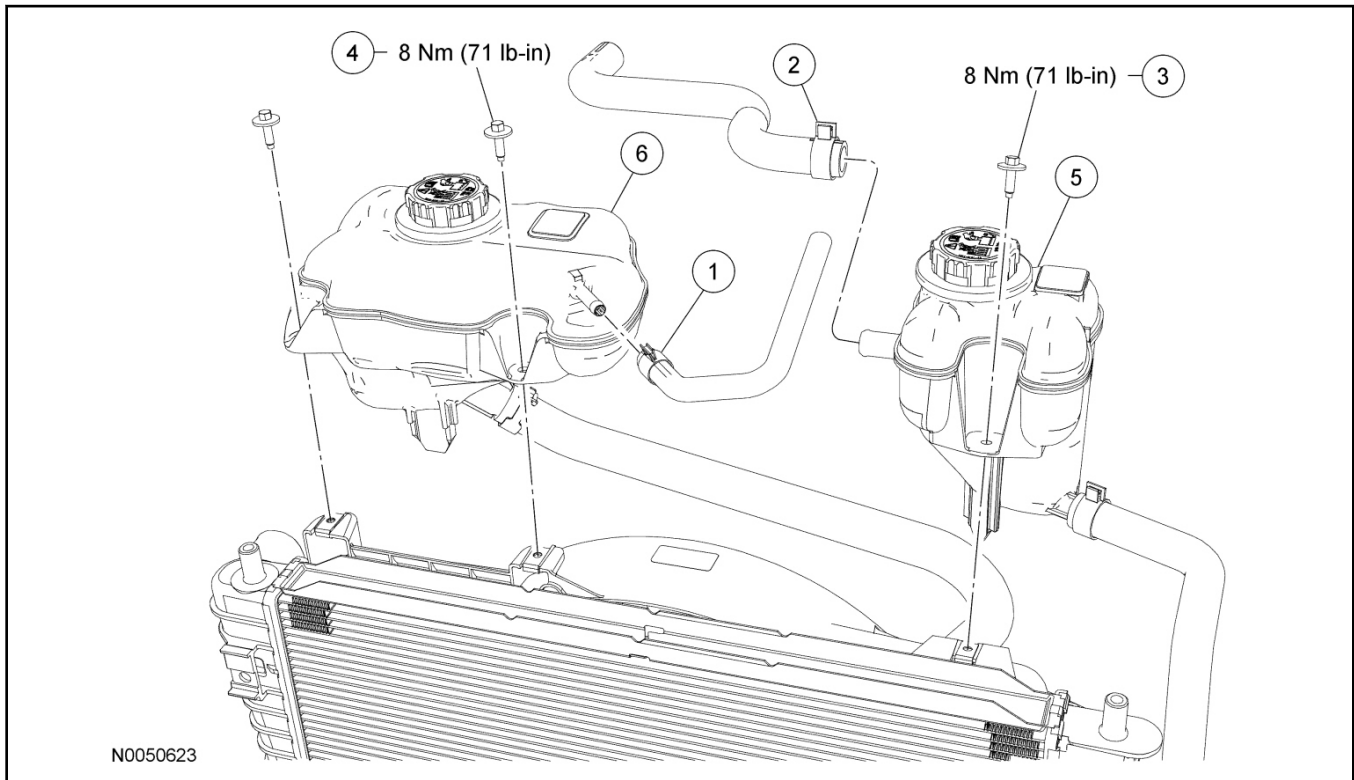
4.0L and 4.6L (3V)



Item	Part Number	Description
1	W503924	Power steering reservoir bolt
2	3R700	Power steering reservoir
3	W527383	Upper degas bottle hose clamp
4	8C633	Upper degas bottle hose
5	W503924	Degas bottle bolt (2 required)
6	8A080	Degas bottle

(Continued)

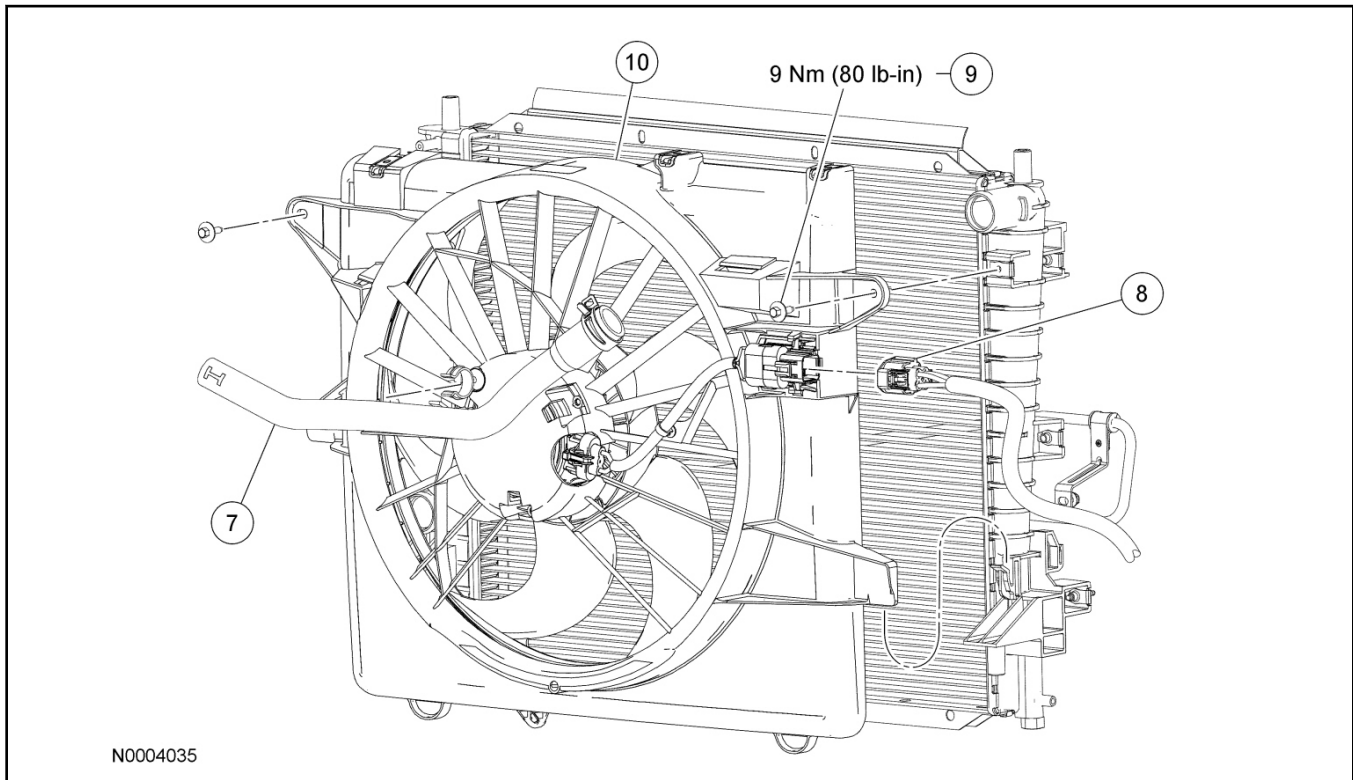
5.4L (4V)



Item	Part Number	Description
1	8276	Upper degas bottle hose
2	8D031	Upper supercharger (SC) degas bottle hose
3	W503924	SC degas bottle bolt
4	W503924	Degas bottle bolt (2 required)
5	8D028	SC degas bottle
6	8A080	Degas bottle

(Continued)

## All Engines



Item	Part Number	Description
7	8C350	Lower degas bottle hose (4.0L and 4.6L [3V] only)
8	14A464	Cooling fan motor and shroud electrical connector
9	N606676	Cooling fan motor and shroud bolt (2 required)
10	8C607	Cooling fan motor and shroud

**5.4L (4V) engine**

1. Drain the cooling system. For additional information, refer to Cooling System Draining, Filling and Bleeding in this section.
2. Drain the supercharger (SC) cooling system. For additional information, refer to Section 303-03B.

**4.0L and 4.6L (3V) engines**

3. Remove the air cleaner outlet pipe. For additional information, refer to Section 303-12.
4. Remove the bolt and position aside the power steering reservoir.
  - To install, tighten to 8 Nm (71 lb-in).
5. Detach the lower degas bottle hose and position it aside.

**5.4L (4V) engines**

6. Disconnect the upper SC degas bottle hose and position it aside.
7. Remove the bolt and position aside the SC degas bottle.
  - To install, tighten to 8 Nm (71 lb-in).
8. Disconnect the upper degas bottle hose and position it aside.

**All engines**

9. Remove the 2 bolts and position aside the degas bottle.
  - To install, tighten to 8 Nm (71 lb-in).
10. Disconnect the cooling fan motor and shroud electrical connector.
11. Remove the 2 bolts and the cooling fan motor and shroud.

---

**(Continued)**

- To install, tighten to 9 Nm (80 lb-in).
12. To install, reverse the removal procedure.

**5.4L (4V) engines**

13. Fill and bleed the cooling system. For additional information, refer to Cooling System Draining, Filling and Bleeding in this section.
14. Fill and bleed the supercharger cooling system. For additional information, refer to Section 303-03B.