

SECTION 303-03A Engine Cooling

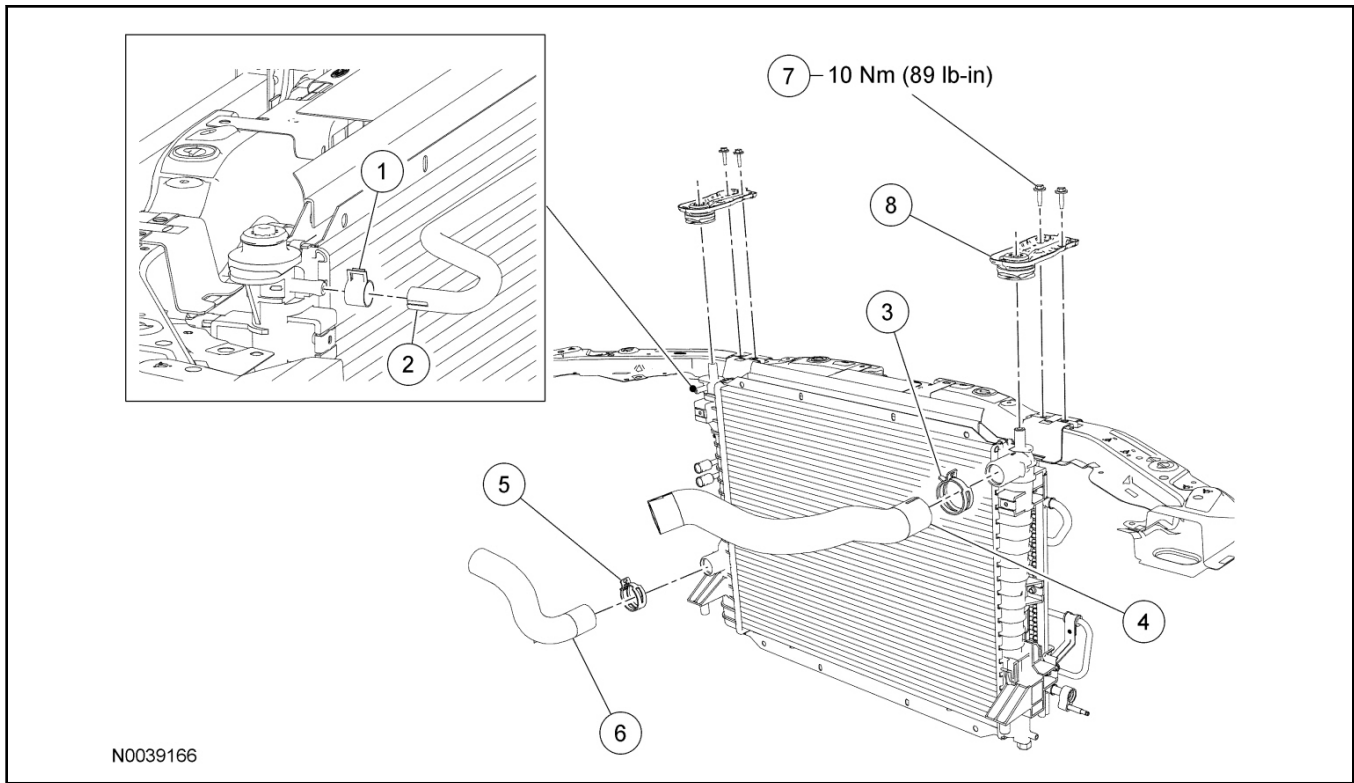
CONTENTS

PAGE

Radiator	303-03A-2
----------------	-----------

Radiator

Radiator (View 1 of 2)

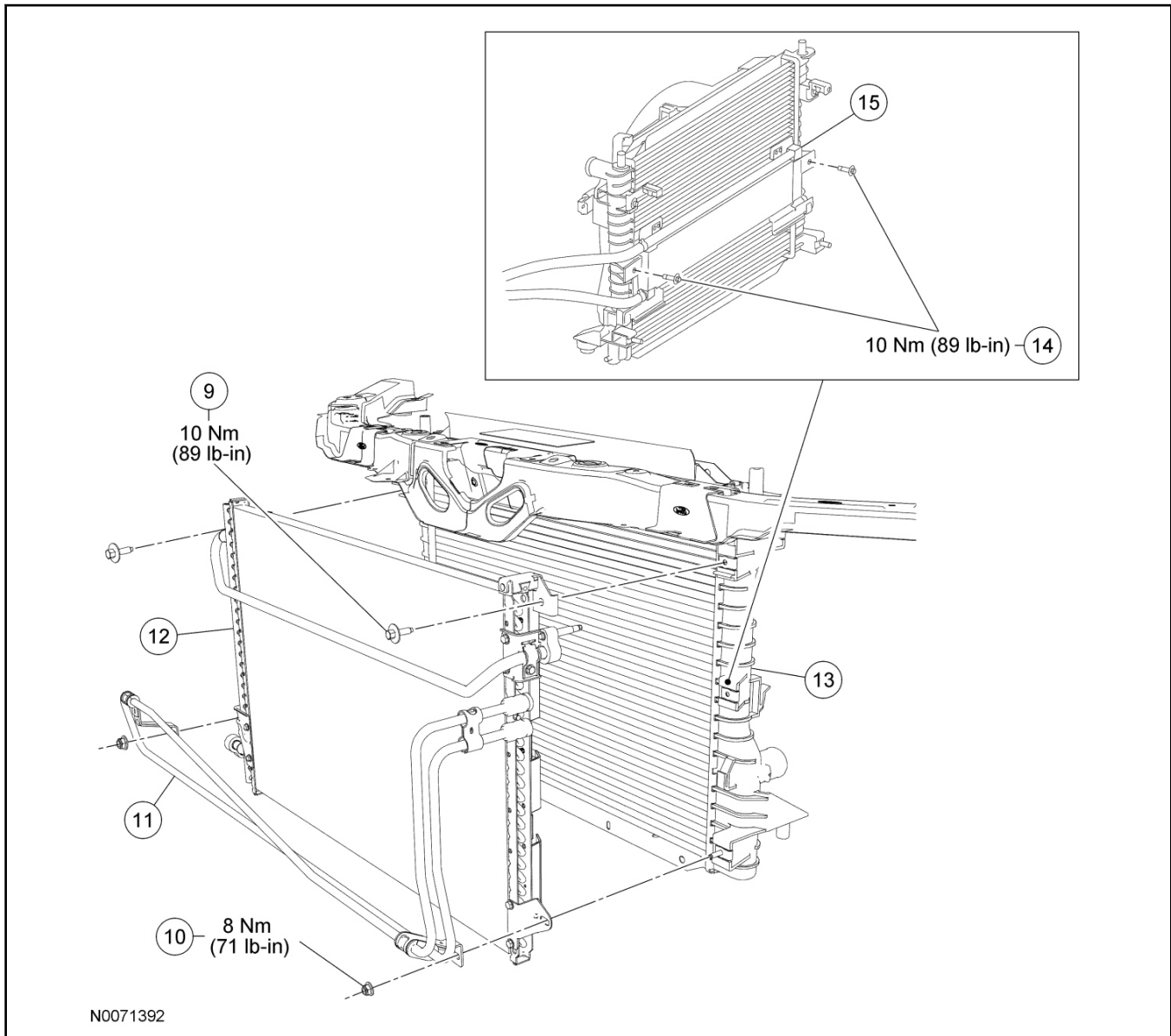


N0039166

Item	Part Number	Description
1	W527383	Hose clamp
2	8C633	Degas bottle-to-radiator hose
3	8287	Hose clamp
4	8260	Upper radiator hose
5	8287	Hose clamp
6	8286	Lower radiator hose
7	W505424	Radiator support bracket bolt (4 required)
8	8226	Radiator support bracket (2 required)

(Continued)

Radiator (View 2 of 2)

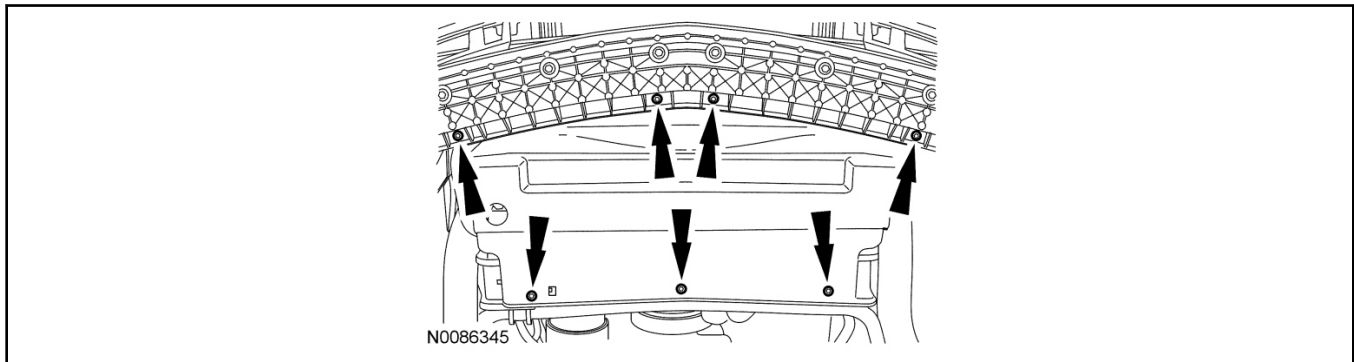


Item	Part Number	Description
9	N606676	A/C condenser bolt (2 required)
10	—	A/C condenser retaining nut (2 required)
11	3F780	Power steering tubes
12	19710	A/C condenser
13	8005	Radiator
14	—	Transmission cooler bolts (if equipped)
15	7A095	Transmission cooler (if equipped)

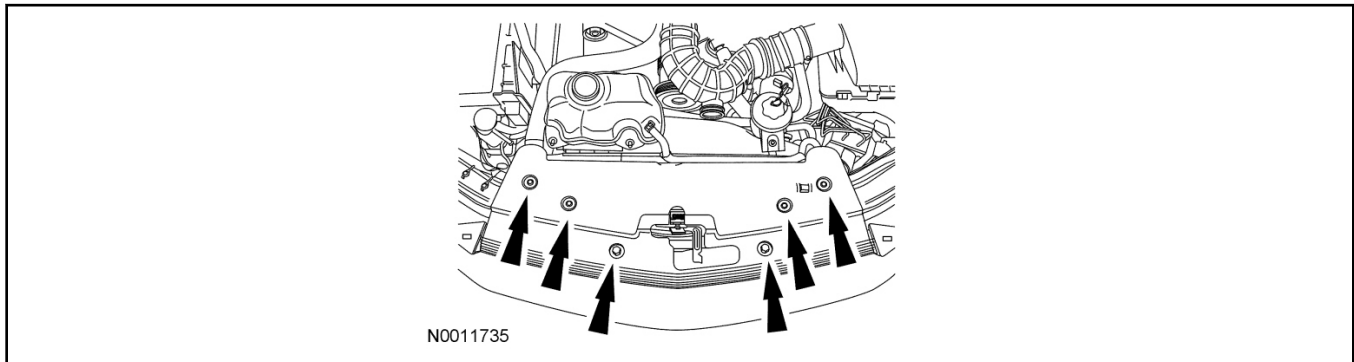
Removal and Installation

1. Drain the cooling system. For additional information, refer to Cooling System Draining, Filling and Bleeding in this section.
2. Remove the 7 bolts and the lower splash shield.
 - To install, tighten to 5 Nm (44 lb-in).

(Continued)



3. Remove the 6 pushpin retainers and the air deflector.



4. Remove the cooling fan motor and shroud. For additional information, refer to Cooling Fan Motor and Shroud in this section.
5. Disconnect the degas bottle-to-radiator hose and position aside.
6. Disconnect the upper radiator hose from the radiator and position aside.
7. Disconnect the lower radiator hose from the radiator and position aside.
8. Remove the 4 bolts and the radiator support brackets.
 - To install, tighten to 10 Nm (89 lb-in).
9. Remove the 2 power steering tubes and A/C condenser retaining nuts and position aside the power steering tubes.
 - To install, tighten to 8 Nm (71 lb-in).
10. Remove the 2 A/C condenser bolts.
 - To install, tighten to 10 Nm (89 lb-in).
11. If equipped, remove the 2 bolts and the transmission cooler and position aside.
 - To install, tighten to 10 Nm (89 lb-in).
12. Remove the radiator.
13. To install, reverse the removal procedure.
14. Fill and bleed the cooling system. For additional information, refer to Cooling System Draining, Filling and Bleeding in this section.