

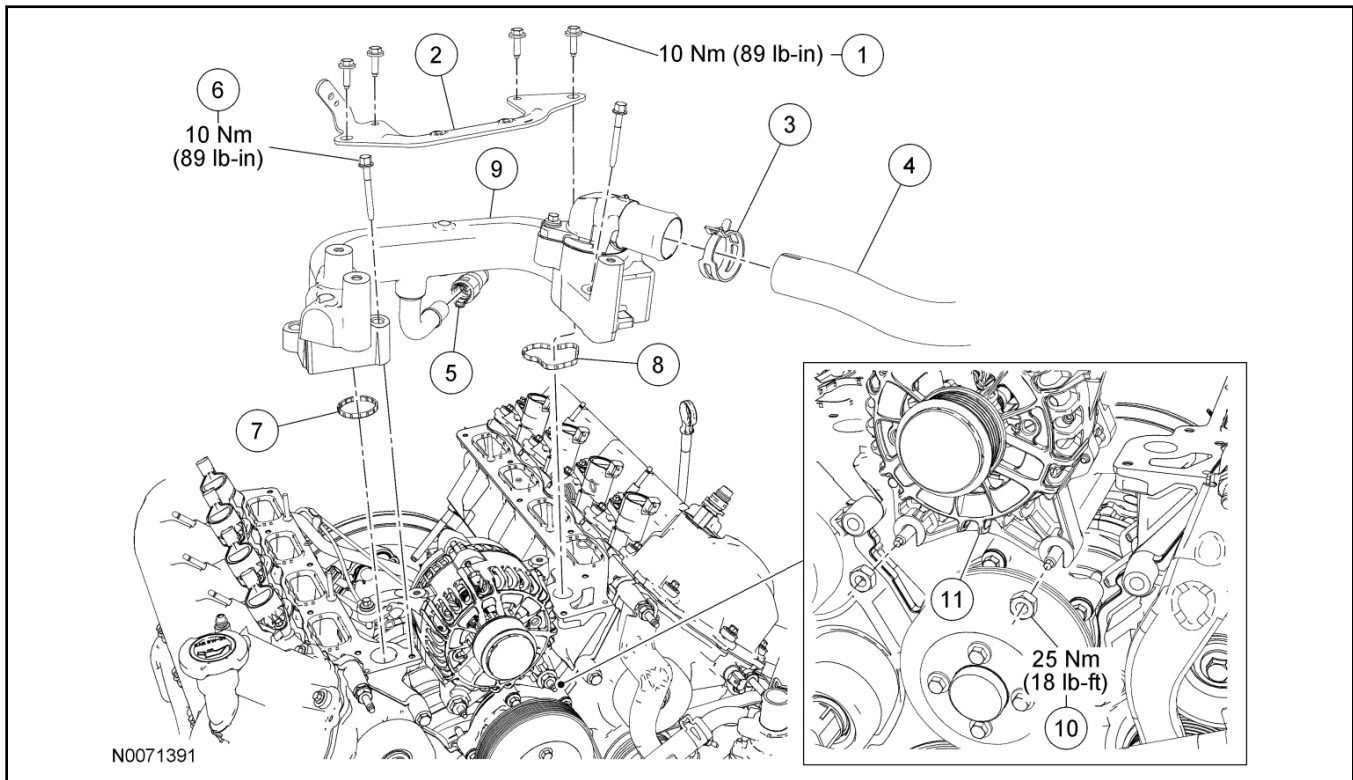
## SECTION 303-03A Engine Cooling

### CONTENTS

### PAGE

Coolant Crossover Manifold Assembly — 4.6L (3V) .....	303-03A-2
---	-----------

### Coolant Crossover Manifold Assembly — 4.6L (3V)

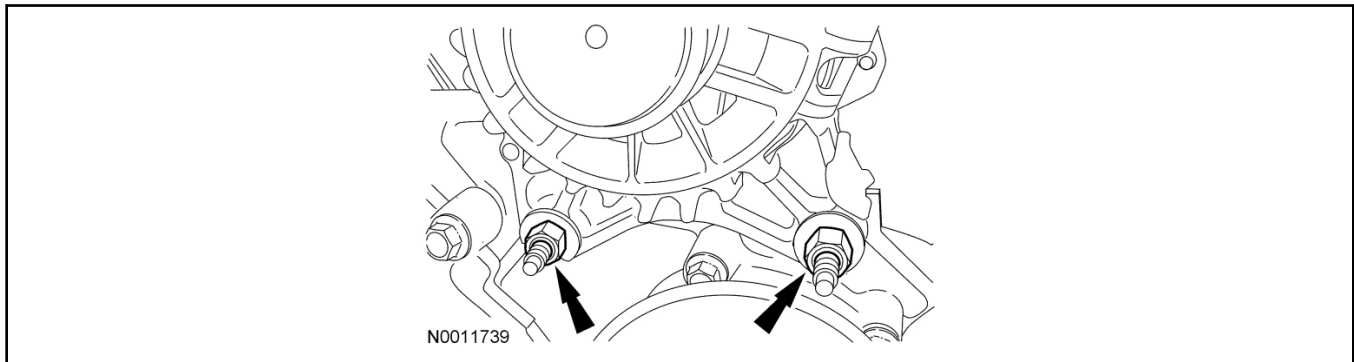


Item	Part Number	Description
1	N807309	Generator support bracket bolt (4 required)
2	10153	Generator support bracket
3	15161	Hose clamp
4	8A594	Coolant crossover assembly-to-radiator hose
5	18B402	Heater return and supply hose
6	W710925	Coolant crossover assembly bolt (2 required)
7	8C387	Gasket
8	8C388	Gasket
9	8C369	Coolant crossover assembly
10	N804758	Generator nut (2 required)
11	10300	Generator

#### Removal and Installation

1. Disconnect the battery ground cable. For additional information, refer to Section 414-01.
2. Drain the engine cooling system. For additional information, refer to Cooling System Draining, Filling and Bleeding in this section.
3. Remove the intake manifold. For additional information, refer to Section 303-01B.
4. Remove the accessory drive belt. For additional information, refer to Section 303-05.
5. Remove the 4 bolts and position aside the generator support bracket.
  - To install, tighten to 10 Nm (89 lb-in).
6. Remove the 2 nuts and position aside the generator and wiring harness.
  - To install, tighten to 25 Nm (18 lb-ft).

(Continued)



7. Disconnect the coolant crossover assembly-to-radiator hose and position aside.
8. Disconnect the quick connect fitting for the heater return and supply hose and position aside.
9. Remove the 2 coolant crossover assembly bolts and the coolant crossover assembly.
  - Remove and discard the coolant crossover assembly gaskets.
  - To install, tighten to 10 Nm (89 lb-in).
10. To install, reverse the removal procedure.
  - Clean the sealing surfaces and install new coolant crossover assembly gaskets.
11. Fill and bleed the cooling system. For additional information, refer to Cooling System Draining, Filling and Bleeding in this section.