

## SECTION 303-03A Engine Cooling

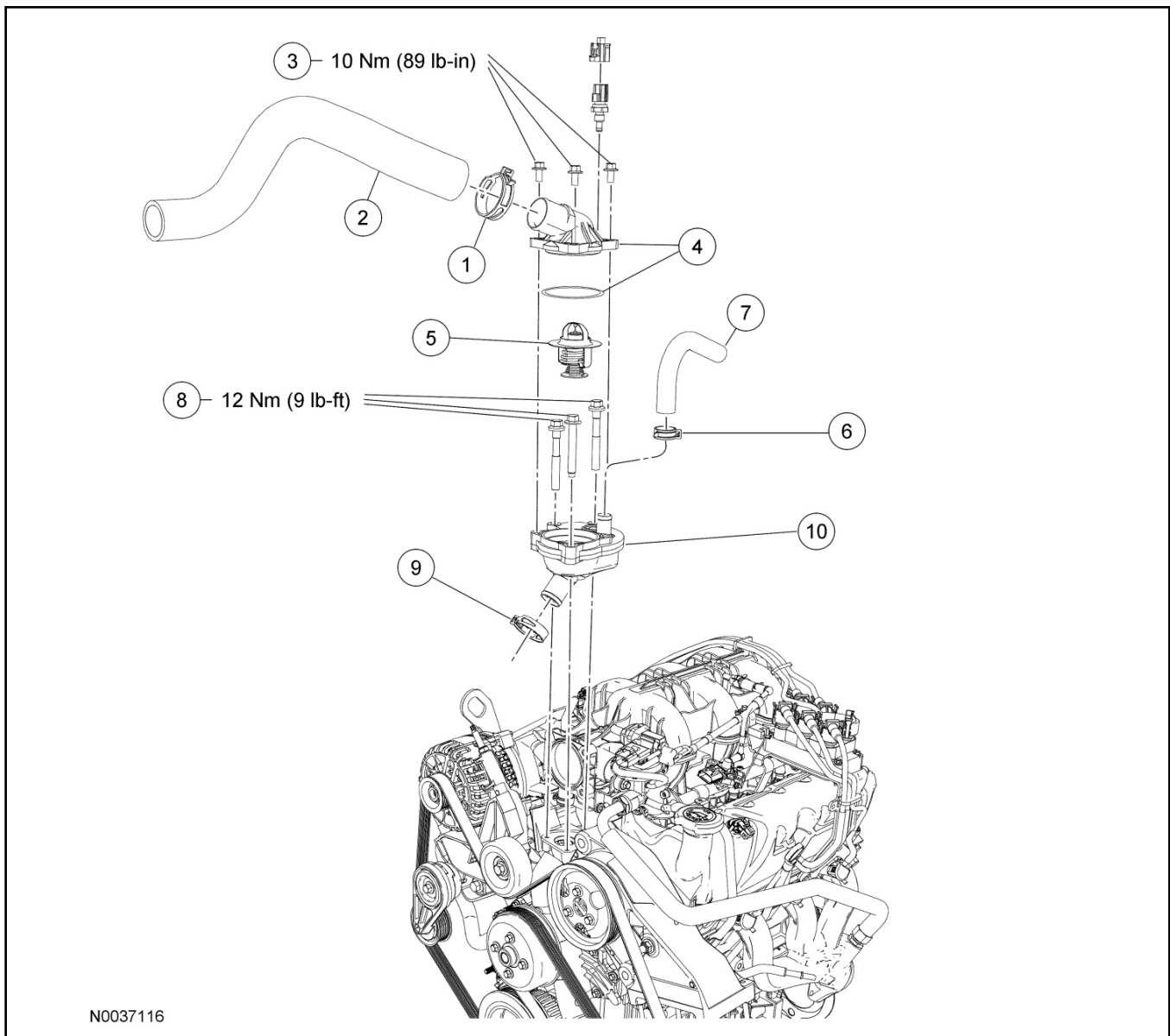
### CONTENTS

### PAGE

Thermostat and Thermostat Housing — Exploded View .....	303-03A-2
---	-----------

## Thermostat and Thermostat Housing — Exploded View

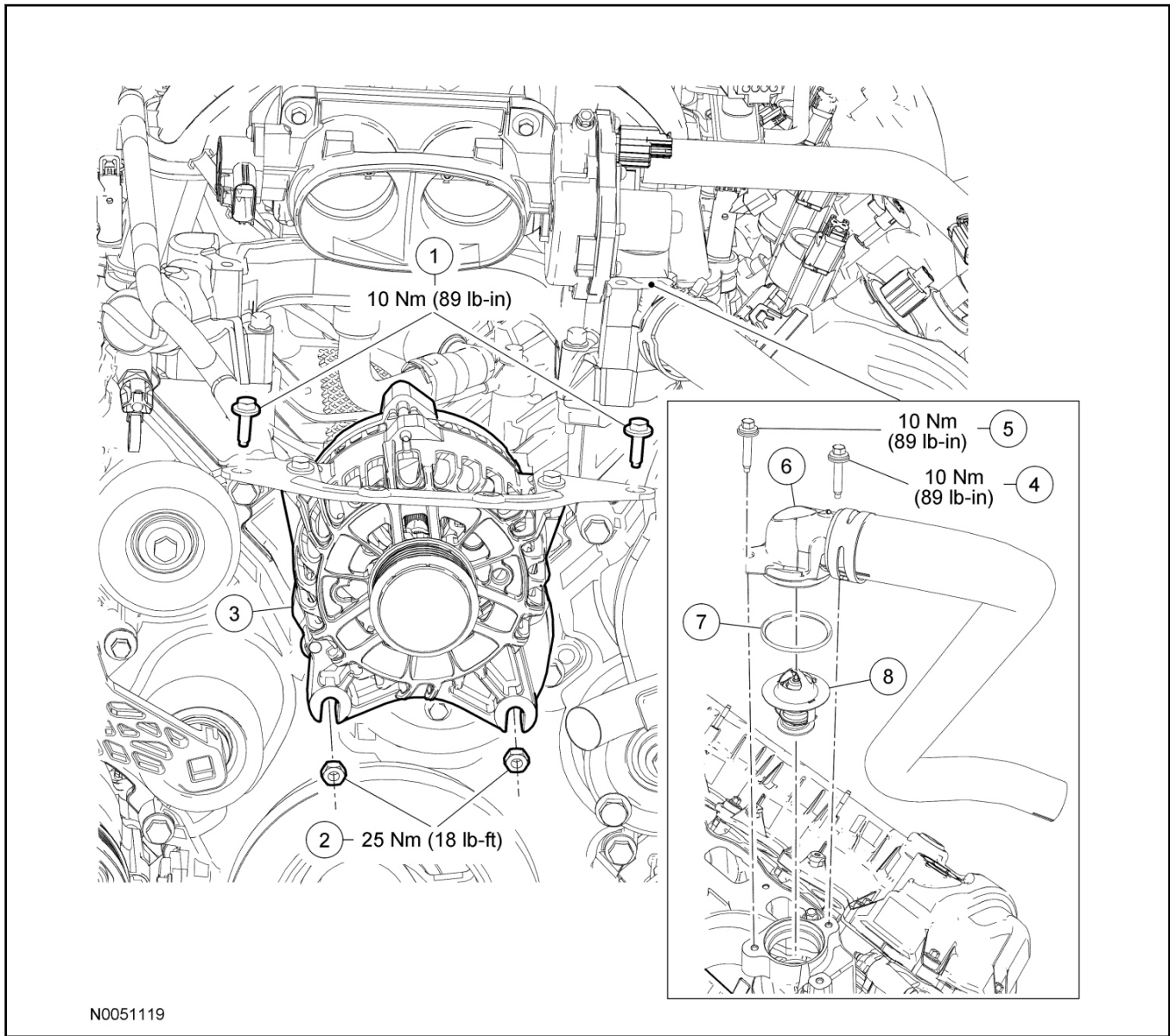
4.0L (SOHC)



Item	Part Number	Description
1	W525966	Upper radiator hose clamp
2	8260	Upper radiator hose
3	W500015	Upper thermostat housing bolts (3 required)
4	8A586	Thermostat housing cover and gasket
5	8575	Thermostat
6	—	Heater inlet hose clamp (part of 18472)
7	18472	Heater inlet hose
8	W702527	Lower thermostat housing bolts (3 required)
9	W525966	Bypass hose clamp
10	8A586	Thermostat housing

(Continued)

4.6L (3V)

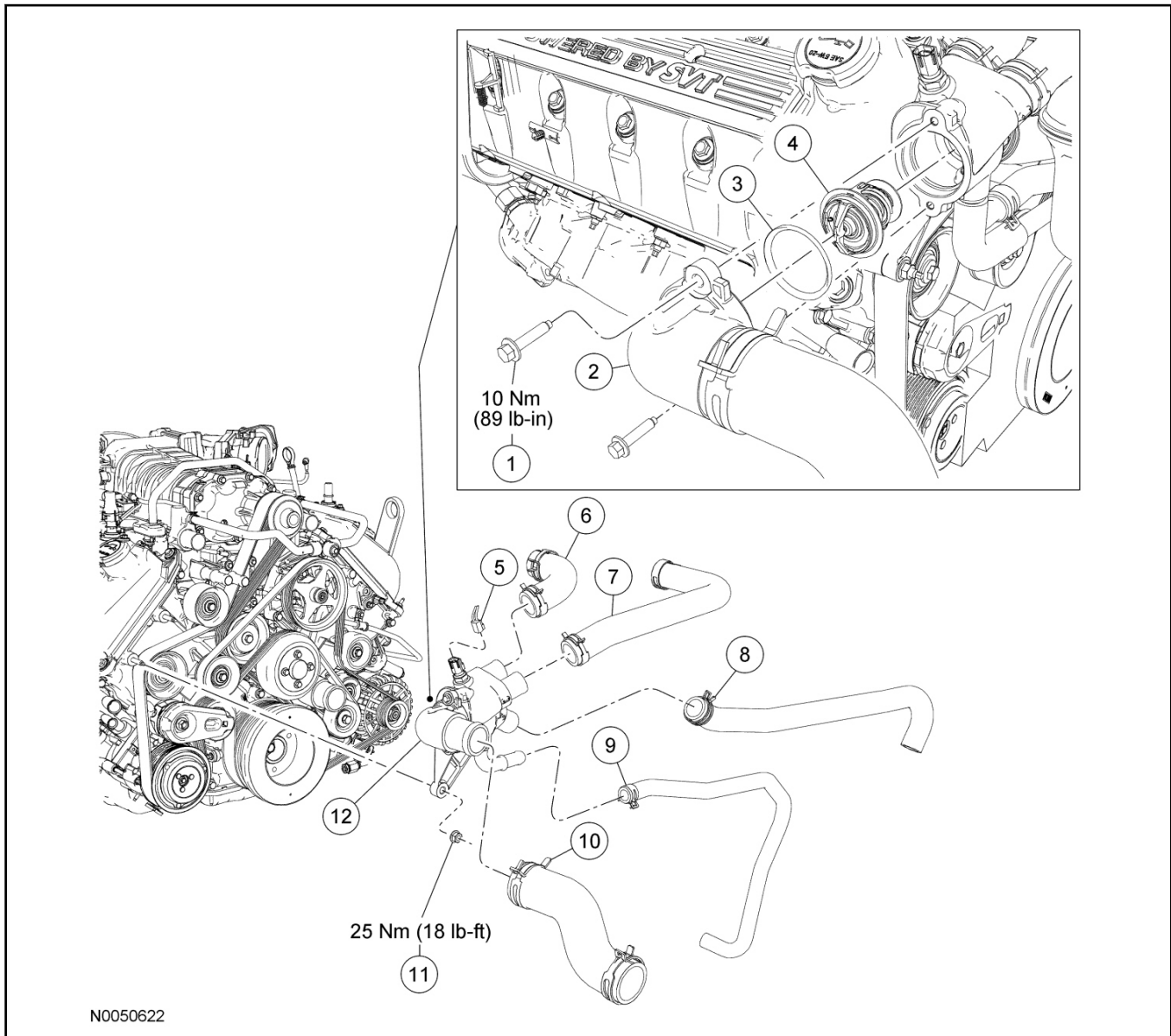


N0051119

Item	Part Number	Description
1	N807309	Generator support bracket outer bolt (2 required)
2	N804758	Generator nut (2 required)
3	10300	Generator
4	W503279	LH thermostat cover bolt
5	W503279	RH thermostat cover bolt
6	8594	Thermostat cover
7	N806807	Thermostat O-ring seal
8	8575	Thermostat

(Continued)

## 5.4L (4V)



Item	Part Number	Description
1	N605893	Thermostat housing cover bolt (2 required)
2	8594	Thermostat housing cover
3	—	O-ring seal
4	8575	Thermostat
5	14A464	Engine coolant temperature (ECT) sensor electrical connector
6	8A595	Thermostat housing-to-intake manifold hose
7	8A595	Thermostat housing-to-intake manifold hose
8	8A594	Thermostat housing-to-lower radiator hose assembly
9	6B851	Thermostat housing-to-oil filter adapter hose
10	8B274	Thermostat housing-to-radiator hose
11	W520413	Thermostat housing nut (2 required)
12	9K478	Thermostat housing

1. For additional information, refer to the procedures in this section.

(Continued)