

SECTION 501-09 Rear View Mirrors

CONTENTS

PAGE

Exterior Mirror Glass	501-09-2
-----------------------------	----------

Exterior Mirror Glass

Removal

1. Position the exterior mirror glass to the full upward and inboard position.
2. Insert a thin flat-blade screwdriver at the lower outboard side of exterior mirror glass.
- 3.

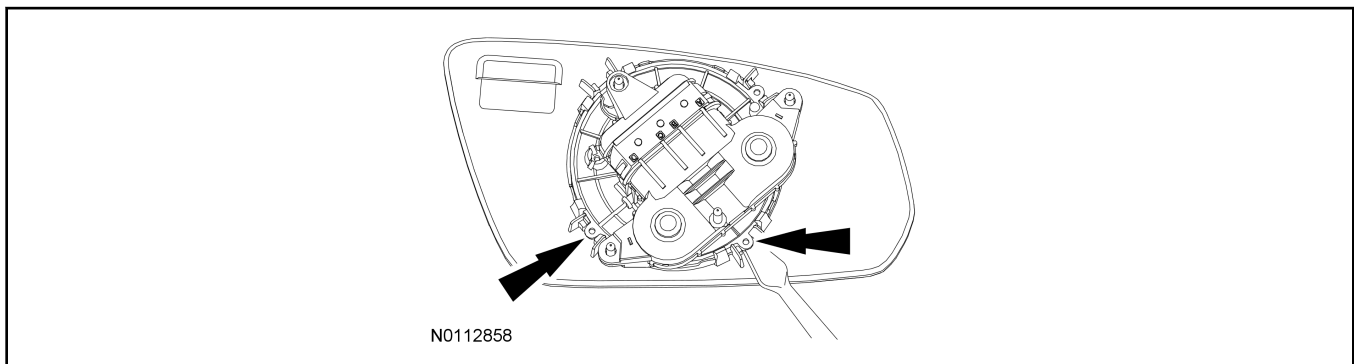
**WARNING:**

Place a shop towel between the hands and the exterior mirror glass for protection in case of glass breakage during mirror service. Failure to follow this instruction may result in serious personal injury.

NOTE:

LH exterior mirror glass and motor are shown removed from the housing and from the back to show the location of the retaining tabs and the placement of the screwdriver.

Using the screwdriver, release the retaining tabs starting at the lower outboard side of exterior mirror glass and continuing to the lower inboard side of the exterior mirror glass.



4. Remove the exterior mirror glass.
 - If equipped, disconnect the electrical connectors.

Installation

1. If equipped, connect the electrical connectors.

2.

**WARNING:**

Place a shop towel between the hands and the exterior mirror glass for protection in case of glass breakage during mirror service. Failure to follow this instruction may result in serious personal injury.

NOTE:

An audible click will be heard during installation.

Install the exterior mirror glass by pressing firmly in the center of the exterior glass, while manually rotating the exterior mirror glass in all directions, until all of the retaining tabs are snapped onto the exterior mirror motor.