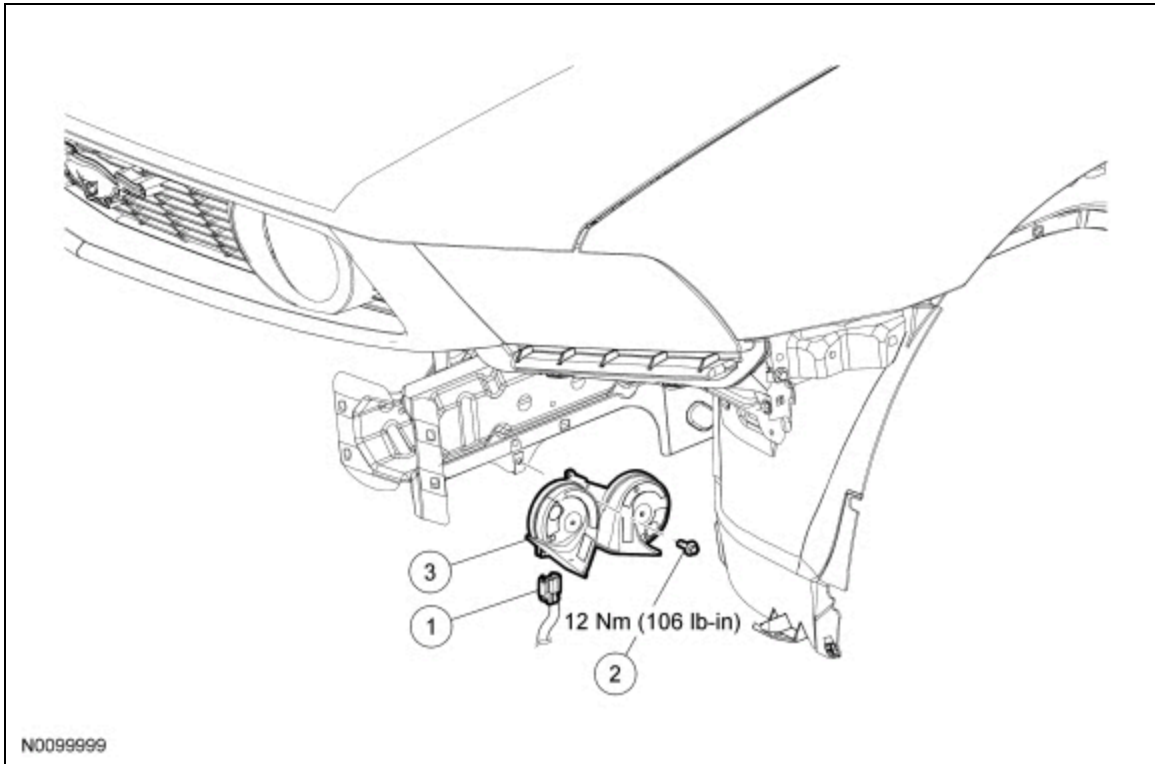


## Horn

**NOTE:** Front bumper shown removed for clarity.



Item	Part Number	Description
1	—	Horn electrical connector (part of 14290)
2	W710500	Horn bolt
3	13832	Horn

### Removal and Installation

1. With the vehicle in NEUTRAL, position it on a hoist. For additional information, refer to [Section 100-02](#).
2. Remove the 9 screws and the lower radiator air deflector.
3. Disconnect the horn electrical connector.
4. Remove the bolt and the horn.
  - To install, tighten to 12 Nm (106 lb-in).
5. To install, reverse the removal procedure.

