

## REMOVAL AND INSTALLATION

### Spark Plugs

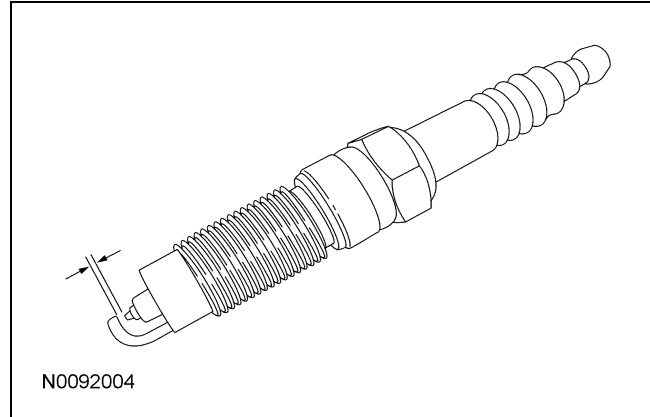
#### Removal

**NOTICE:** The spark plug procedure must be followed exactly or damage to the cylinder head and spark plug will result.

1. Remove the ignition coil-on-plug. For additional information, refer to Ignition Coil-On-Plug in this section.
2. **NOTICE: Only use hand tools when removing or installing the spark plugs or damage can occur to the cylinder head or spark plug.**  
**NOTE:** Use compressed air to remove any foreign material from the spark plug well before removing the spark plugs.  
 Remove the spark plug.
3. Inspect the spark plug. For additional information, refer to Section 303-00.

#### Installation

1. Adjust the spark plug gap as necessary. For the correct spark plug gap specification, refer to Specifications in this section.



2. **NOTICE: Only use hand tools when removing or installing the spark plugs or damage can occur to the cylinder head or spark plug.**  
 Install the spark plug.
  - To install, tighten to 12 Nm (106 lb-in).
3. Install the ignition coil. For additional information, refer to Ignition Coil-On-Plug in this section.