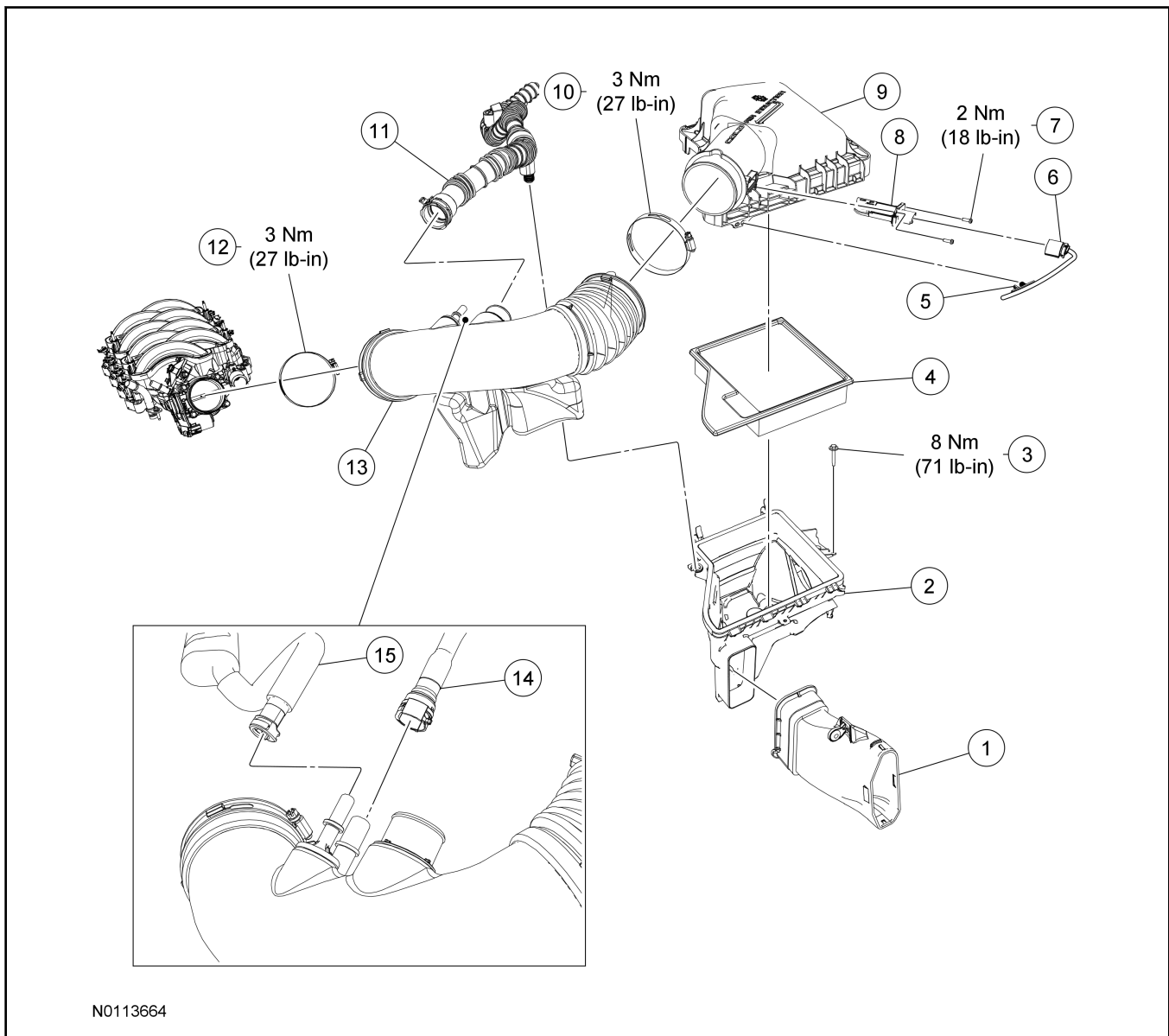


## SECTION 303-12 Intake Air Distribution and Filtering

CONTENTS	PAGE
Intake Air System Components — Exploded View, 5.0L (4V) .....	303-12-2

## Intake Air System Components — Exploded View, 5.0L (4V)



Item	Part Number	Description
1	9A624	Air Cleaner (ACL) inlet pipe
2	—	ACL housing (part of 9600)
3	W505427	ACL housing bolt
4	9601	ACL element (part of 9600)
5	—	Wiring harness retainer (part of 14290)
6	—	Mass Air Flow (MAF) sensor electrical connector (part of 14290)
7	W711655	MAF sensor screw (2 required)
8	12B579	MAF sensor
9	—	ACL housing cover (part of 9600)
10	9C632	ACL outlet pipe-to-ACL housing cover clamp
11	6C646	Sound enhancement pipe
12	9C632	ACL outlet pipe-to-Throttle Body (TB) clamp
13	9B659	ACL outlet pipe

---

**(Continued)**

<b>Item</b>	<b>Part Number</b>	<b>Description</b>
14	6758	Crankcase ventilation tube
15	9C482	Vacuum hose (if equipped)

**NOTE:**

The ACL outlet pipe should be securely sealed to prevent unmetered air from entering the engine.

**NOTE:**

The crankcase ventilation tube is equipped with a quick connect coupling. For additional information, refer to Section 310-00.

1. Refer to the procedures and/or exploded views in this section for any Warnings, Notices, Notes, Materials, Specifications, and Special Tools. Items in the exploded views may not be listed in order of removal.