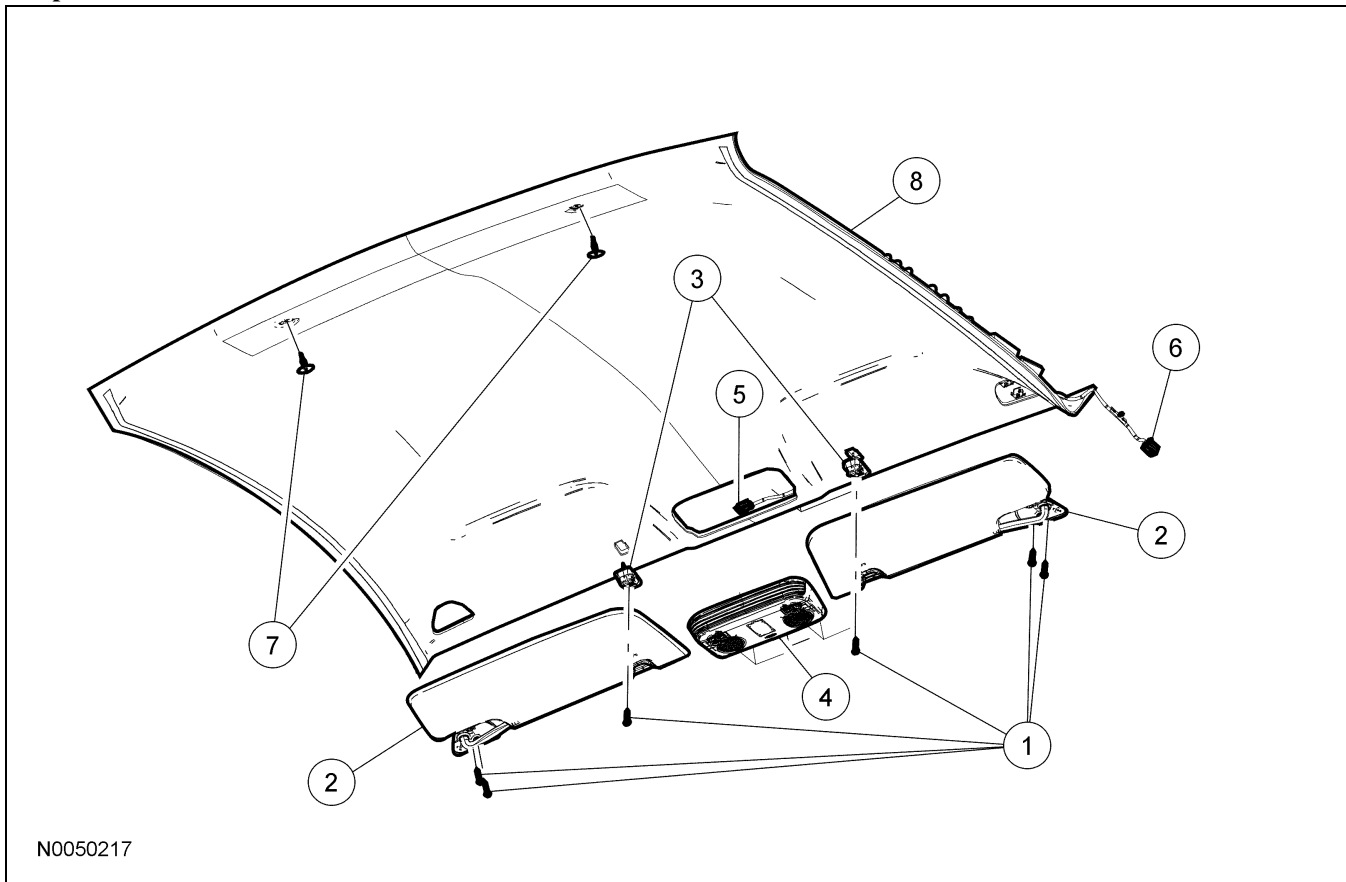


REMOVAL AND INSTALLATION

Headliner

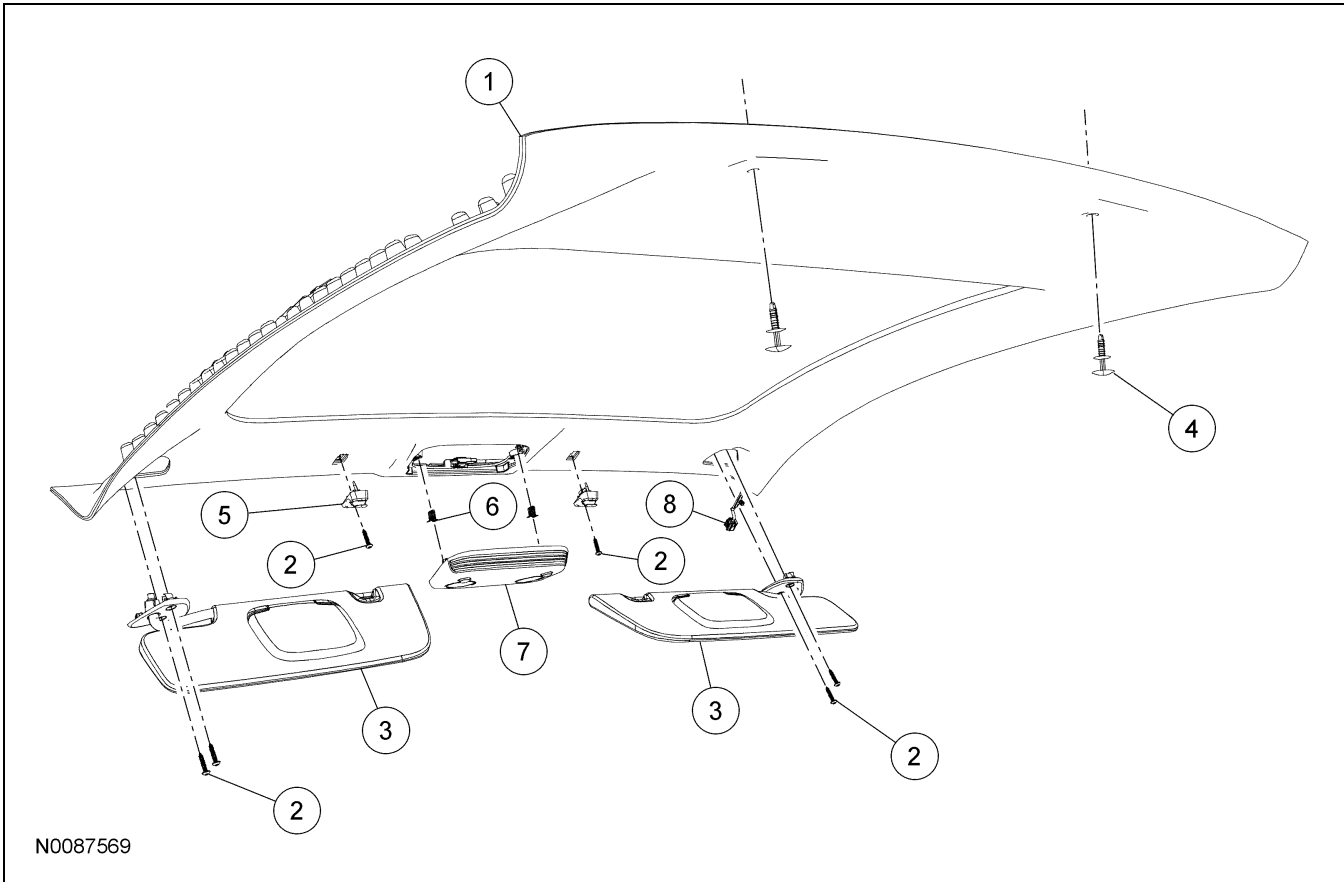
Coupe



Item	Part Number	Description
1	N806664	Sun visor screws/sun visor arm clip screws (6 required)
2	6304104 RH/ 6304105 LH	Sun visors (2 required)
3	6304132	Sun visor arm clips (2 required)
4	519A58	Overhead console

Item	Part Number	Description
5	—	Overhead console electrical connector (part of 14A464)
6	—	Headliner electrical connector (part of 14484)
7	W714340	Headliner pin-type retainers (2 required)
8	6351916	Headliner

(Continued)

REMOVAL AND INSTALLATION (Continued)**Glass Roof**

Item	Part Number	Description
1	51968	Headliner
2	N806664	Sun visor screws/sun visor arm clip screws (6 required)
3	04105 LH/ 04104 RH	Sun visors (2 required)
4	W714340	Headliner pin-type retainer (2 required)
5	04132	Sun visor arm clip (2 required)
6	—	Overhead console clip (part of 519A58)
7	519A58	Overhead console
8	—	Headliner electrical connector (part of 51968)

2. Remove the 6 sun visor screws, the 2 sun visors and the 2 sun visor arm clips.
3. Remove the overhead console.
 - Disconnect the electrical connector.
4. Remove the 2 headliner pin-type retainers.
5. Disconnect the headliner electrical connector and remove the headliner.
6. **NOTE:** A new headliner will need to be installed if the headliner is folded during removal or installation.
To install, reverse the removal procedure.

Removal and Installation

1. Remove the quarter window trim panel. For additional information, refer to Quarter Window Trim Panel in this section.