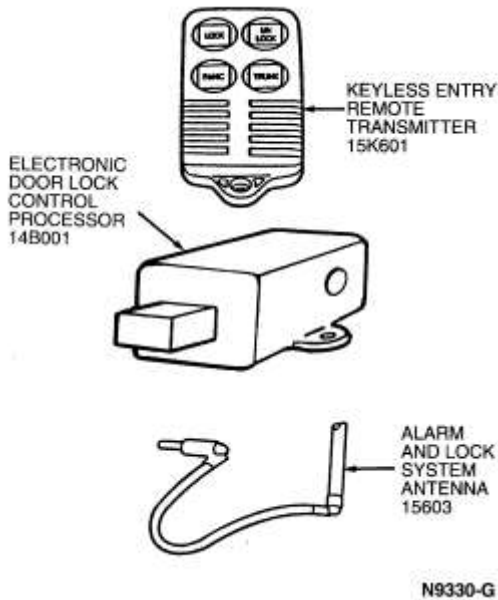


Door Lock Control System, Electronic

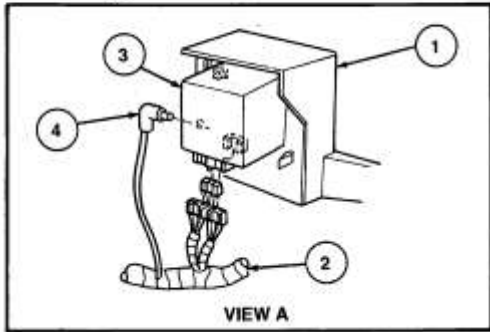
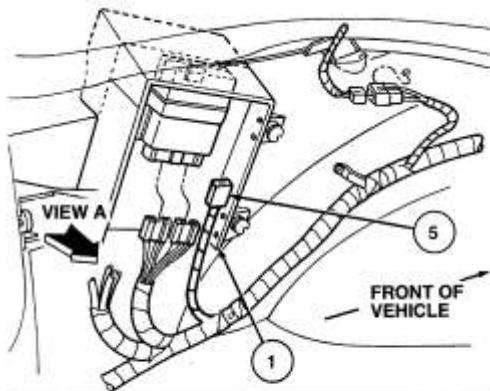
The electronic door lock control system has three main components:

- The electronic door lock control processor (14B001) located on the LH side of the luggage compartment
- The alarm and lock system antenna located under the quarter trim panel (31012)
- The four-button (hand held) keyless entry remote transmitter (15K601)



The electronic door lock control processor performs the following functions:

- unlocks driver door
- unlocks both doors
- unlocks luggage compartment door (40110)
- locks both doors
- arms and disarms anti-theft alarm system (if equipped)
- turns on interior lamps (13776) when door handle (22404) is lifted
- turns on interior lamps when using the keyless entry remote transmitter
- activates and deactivates security feature which sounds horn (13832) and flashes park lamps
- activates battery saver feature which removes power from convenience lamps and interior lamps 45 minutes after last input to electronic door lock control processor



N10989-A

Item	Part Number	Description
1	14B144	Relay Mounting Panel
2	14A005	Body Main Wiring
3	14b001	Electronic Door Lock Control Processor
4	—	Antenna Cable (Part of 14A005)
5	—	Program Connector