

**There is no warranty expressed or implied by this document, you follow these instructions at your own risk. These instructions worked for me, but your experience may vary.**

The final product of these instructions is the installation of a Ford automatic headlamp module. It can easily be removed and the vehicle returned to stock. There will also be a switch mounted beside the headlamp switch to turn the module off.

## Parts List

Part Number	Description	Approximate Cost
F8AZ-13B218-AA	Auto Headlamp Control w/Daytime Running Lights	\$75.00
7R3T-19B516-G2818	Ford Trunk Lid Wiring Harness & Connector from main harness	\$25.00 (Salvage)
	1 wire (male and female) from another donor connector set	
<sup>1</sup> 6R3Z-11654-BAA	2005-2009 Mustang GT Headlight/Fog Light Switch	\$25.00 (Salvage) \$75.00 (New)
	Heat Shrink Tubing	\$2.00
<sup>1</sup>	SPST Rocker switch w/LED	\$5.00
	Colored wire	\$5.00
	¼" Wire Loom	\$3.00
	Black electrical tape	\$1.00
	2 - 12 Volt SPDT or SPST relay	\$15.00 each
	Bullet, Spade, and Ring connectors	\$1.00

<sup>1</sup> Item is optional

## Required Tools

Wire Cutter/Stripper  
Soldering Iron  
Phillips Head Screwdriver  
X-Acto knife

## Trunk Lid Wiring Harness

Pin	Wire Color	Wire Stripe	Function
1	Empty		
2	Tan	Blue	High mounted stoplamp
3	Pink	Purple	Anti-theft luggage compartment switch
4	Tan		Luggage compartment lid-ajar switch
5	Black		Ground
6	White	Pink	Luggage compartment lid release solenoid
7	Empty		
8	White	Yellow	Luggage compartment lamp
9	Empty		

## Create New Harness

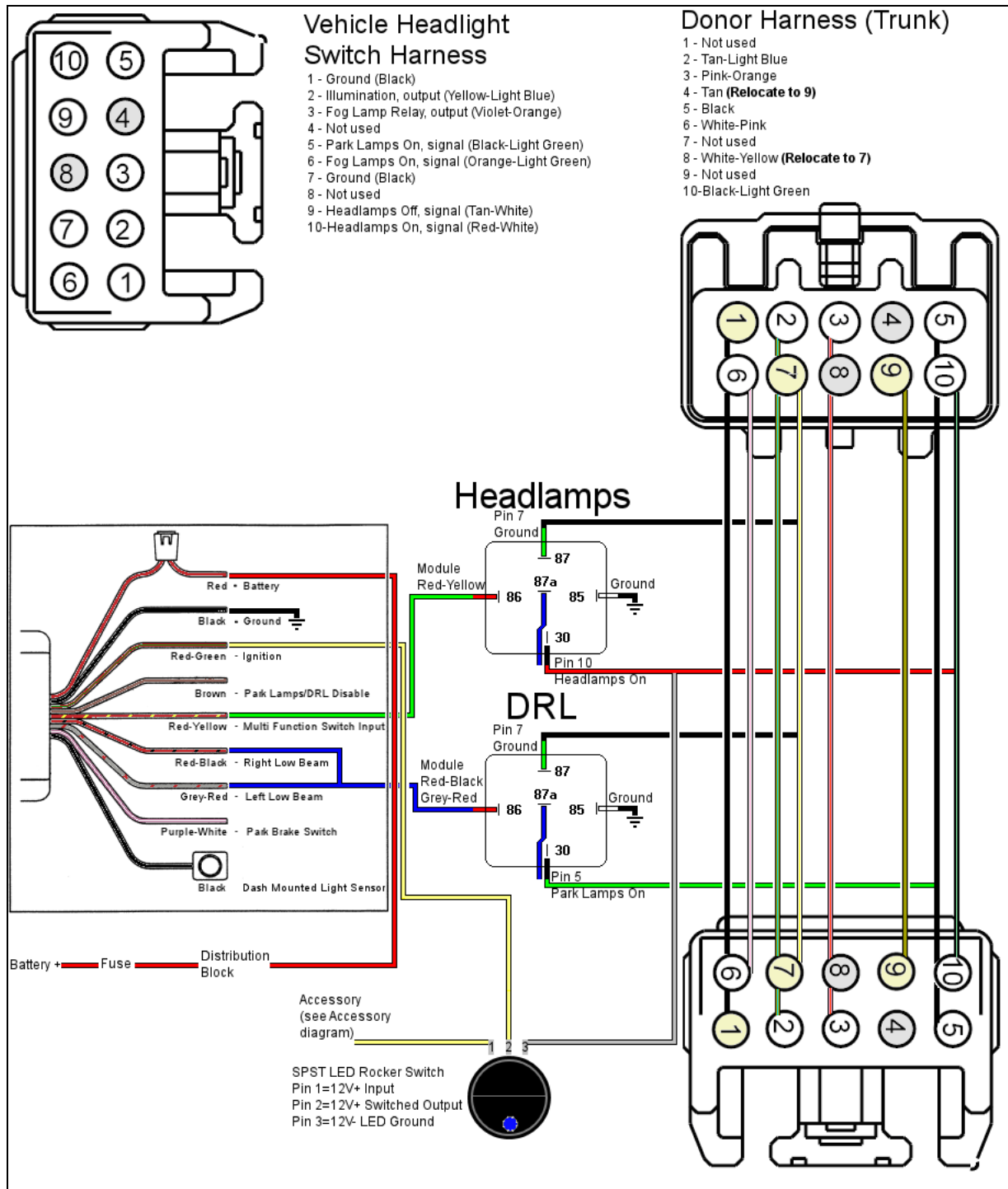


Figure 1

1. You need to rearrange the wires in the 2 ends of the harness, you'll need wires for all of the pins except for 4 and 8. Remove the white plastic on the pin side of each of the connectors (be careful, you'll need to put these back after rearranging the pins). You will need an additional wire from another similar connector to use for Pin 1.
2. At the bottom of each of the pins (male or female) in the connector, there is a small plastic flap, I use an X-Acto knife to hold that flap down, and slide the wire out of the back of the connector.

**2005-2009 Mustang  
Automatic Headlamp Installation**

10/27/2010

3. Place heat shrink on all of the wires, tie them together as shown in **Error! Reference source not found.** I used relay sockets to make removal and replacement easier. I also chose not to run DRLs, but am wired for it. If I want to run them, I can place the relay in the DRL socket.

### ***Alternative 2 - Fogs***

No need for the DRL relay, run wires from the Red-Black (Right Low Beam) and Grey-Red (Left Low Beam) directly to the fog lights in the grille. The fog lights would come on as DRLs lower power, no parking lamps.

### ***Alternative 2 – Parking Lamps & Fogs***

Leave the DRL relay in place and run wires from the Red-Black (Right Low Beam) and Grey-Red (Left Low Beam) directly to the fog lights in the grille. The relay will draw very little power. The fog lights will come on at reduced power.

### ***Alternative 3 – Parking Lamps & Fogs***

In addition to wiring pin 30 from the DRL relay to pin 5 of the harness, you could add diodes and also wire it to Pin 6 to turn the fog lights on. If you were going to do this, though, I would opt for Alternative 2 – Parking Lamps & Fogs. Fog lights would use full power.

## **Additional Preparation**

The switch I am using requires a 3/4" hole be drilled. This is optional if you want to be able to turn off the module. The switch I bought has separate contacts for the LED, so I will wire it up to only light up if the lights are on.

1. Mark the location of the hole to be drilled on the headlight switch plate



2. Drill the hole and clean out any residual plastic



3. Insert the switch.



## **Installation**

1. Remove the panel from the end of the driver's side of the dash.



**2005-2009 Mustang  
Automatic Headlamp Installation**

10/27/2010

2. Push on the back of the headlight switch to pop it out. Disconnect the grey and black connectors.
3. Run wires to Accessory and Power Point



4. Install the headlamp module and connect wiring
5. Choose a place to mount the light sensor



6. That's it.

