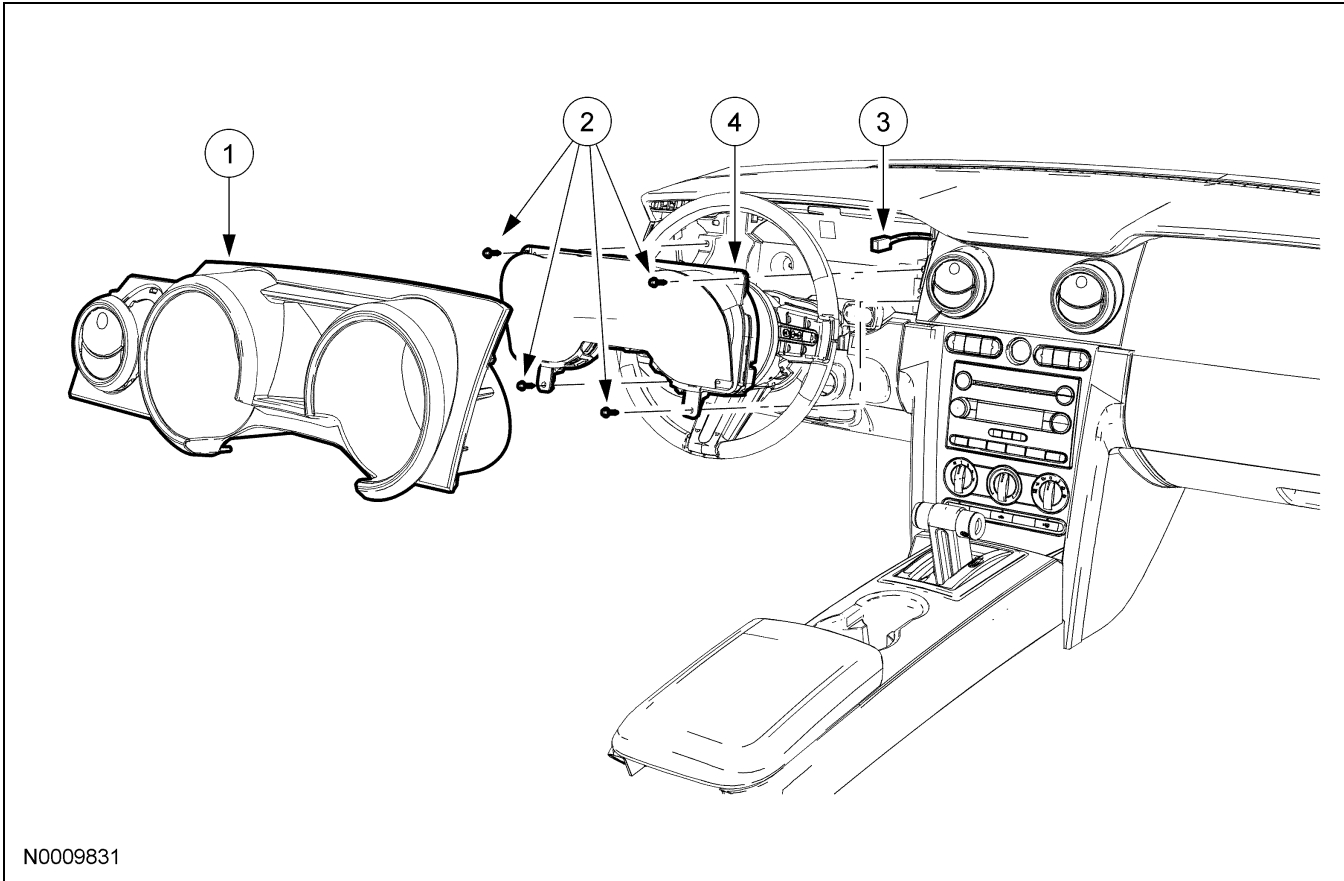


## REMOVAL AND INSTALLATION

### Instrument Cluster



Item	Part Number	Description
1	63044D70	Instrument cluster finish panel
2	—	Instrument cluster screws (4 required)
3	14401	Instrument cluster electrical connector
4	10849	Instrument cluster

### Removal and Installation

- NOTE:** Prior to removal of the instrument cluster, it is necessary to upload the instrument cluster configuration information to the diagnostic tool. For additional information, refer to Section 418-01.

Depower the supplemental restraint system (SRS). For additional information, refer to Section 501-20B.

- NOTE:** The instrument cluster finish panel is held in place with retaining clips that are attached to the bezel.  
Remove the instrument cluster finish panel.
- Remove the 4 screws and the instrument cluster.
  - Disconnect the electrical connector.
- To install, reverse the removal procedure.
  - Download the instrument cluster configuration information from the diagnostic tool into the new instrument cluster. For additional information, refer to Section 418-01.