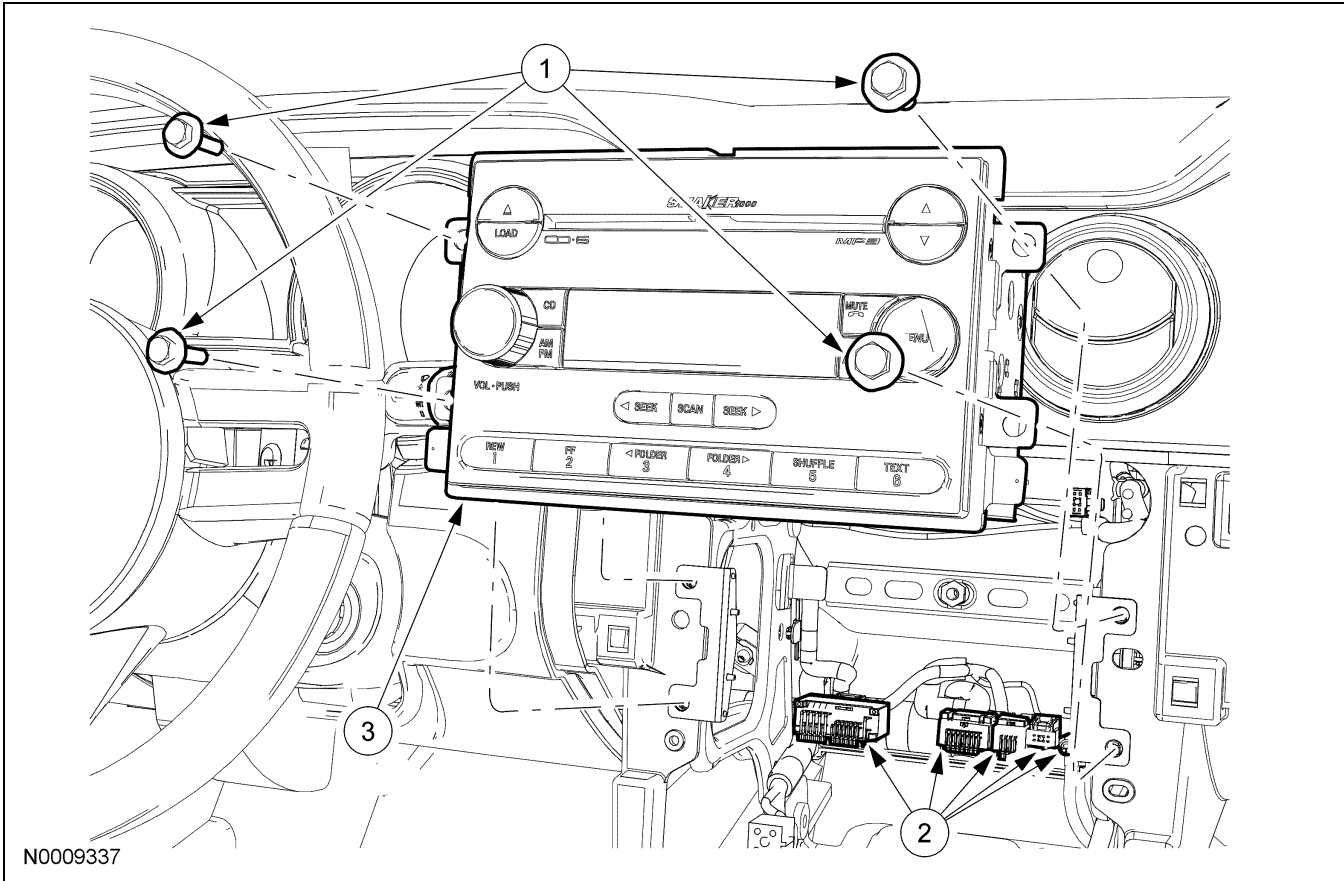


## REMOVAL AND INSTALLATION

### Audio Control Module (ACM)



Item	Part Number	Description
1	W705314S	Audio Control Module (ACM) screws (4 required)
2	—	ACM electrical connectors (part of 14401)
3	18C815	ACM

#### Removal and Installation

**NOTE:** It is not necessary to remove the Audio Control Module (ACM) to retrieve the part number. For additional information, refer to Audio Unit Part Number Retrieval in this section.

**NOTE:** If installing a new navigation ACM, remove the navigation DVD, if possible, before sending the ACM to an authorized audio system repair facility.

1. **NOTE:** Module configuration is only required if a new ACM is being installed.

Upload the ACM configuration information to the scan tool. For additional information, refer to Section 418-01, to carry out Programmable Module Installation (PMI).

2. Remove the instrument panel center finish panel. For additional information, refer to Section 501-12.
3. Remove the 4 screws and the ACM.
  - Disconnect the electrical connectors and the antenna lead-in cable.
4. To install, reverse the removal procedure.
  - Download the configuration information to the ACM. For additional information, refer to Section 418-01, to carry out PMI.