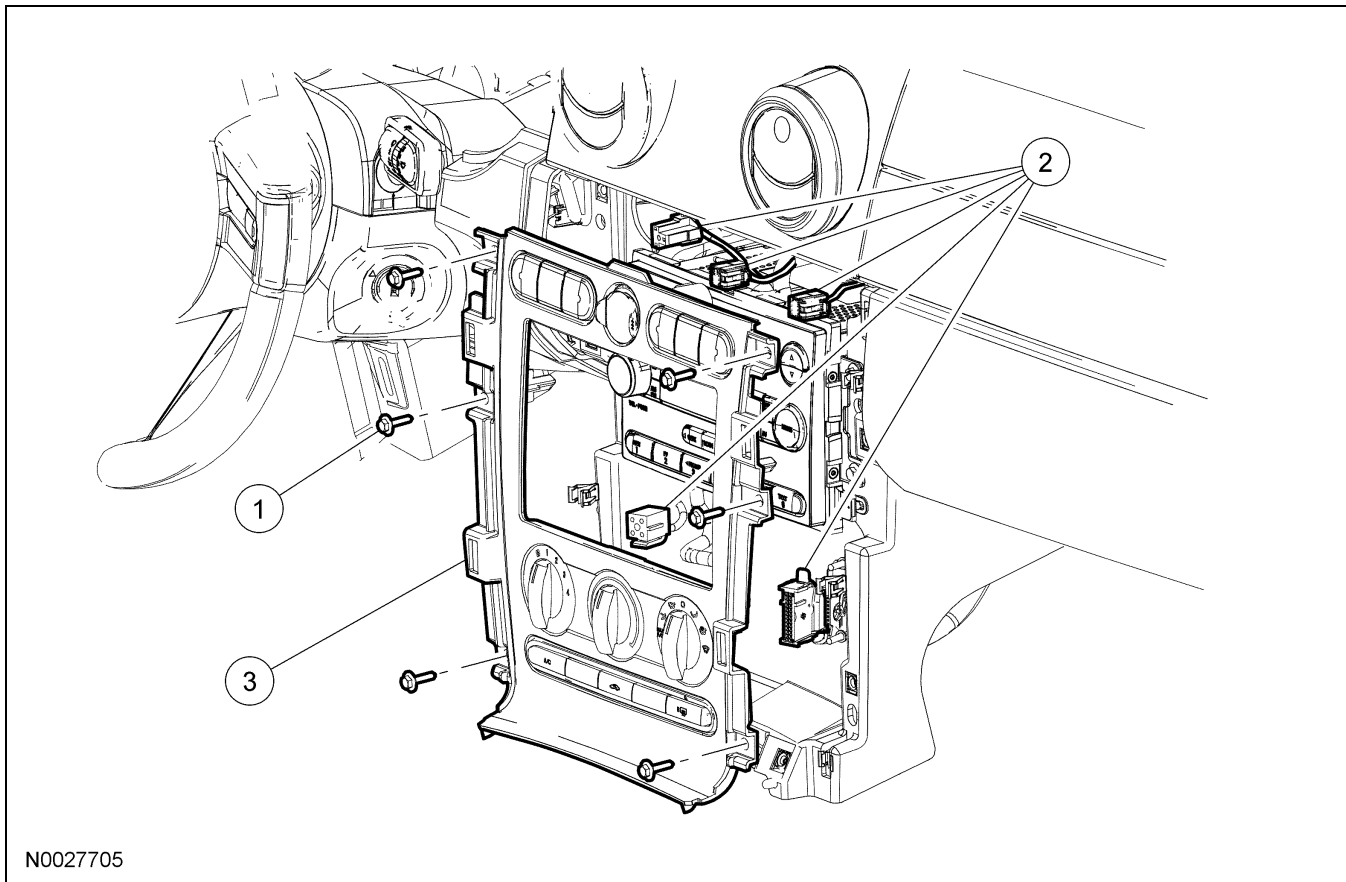


## REMOVAL AND INSTALLATION

### Instrument Panel Center Finish Panel



| Item | Part Number | Description   |
|------|-------------|---|
| 1    | W705314     | Instrument panel center finish panel screw (6 required)                                 |
| 2    | —           | Instrument panel center finish panel electrical connectors (5 required) (part of 14401) |
| 3    | 6304302     | Instrument panel center finish panel  |

- Remove the 6 screws and remove the instrument panel center finish panel.
  - Disconnect the electrical connectors.
- NOTE:** Be sure that all climate control assembly electrical connectors are securely fastened before installing the center instrument panel finish panel.

To install, reverse the removal procedure.

#### Removal and Installation

- Remove the floor console. For additional information, refer to Console — Floor in this section.