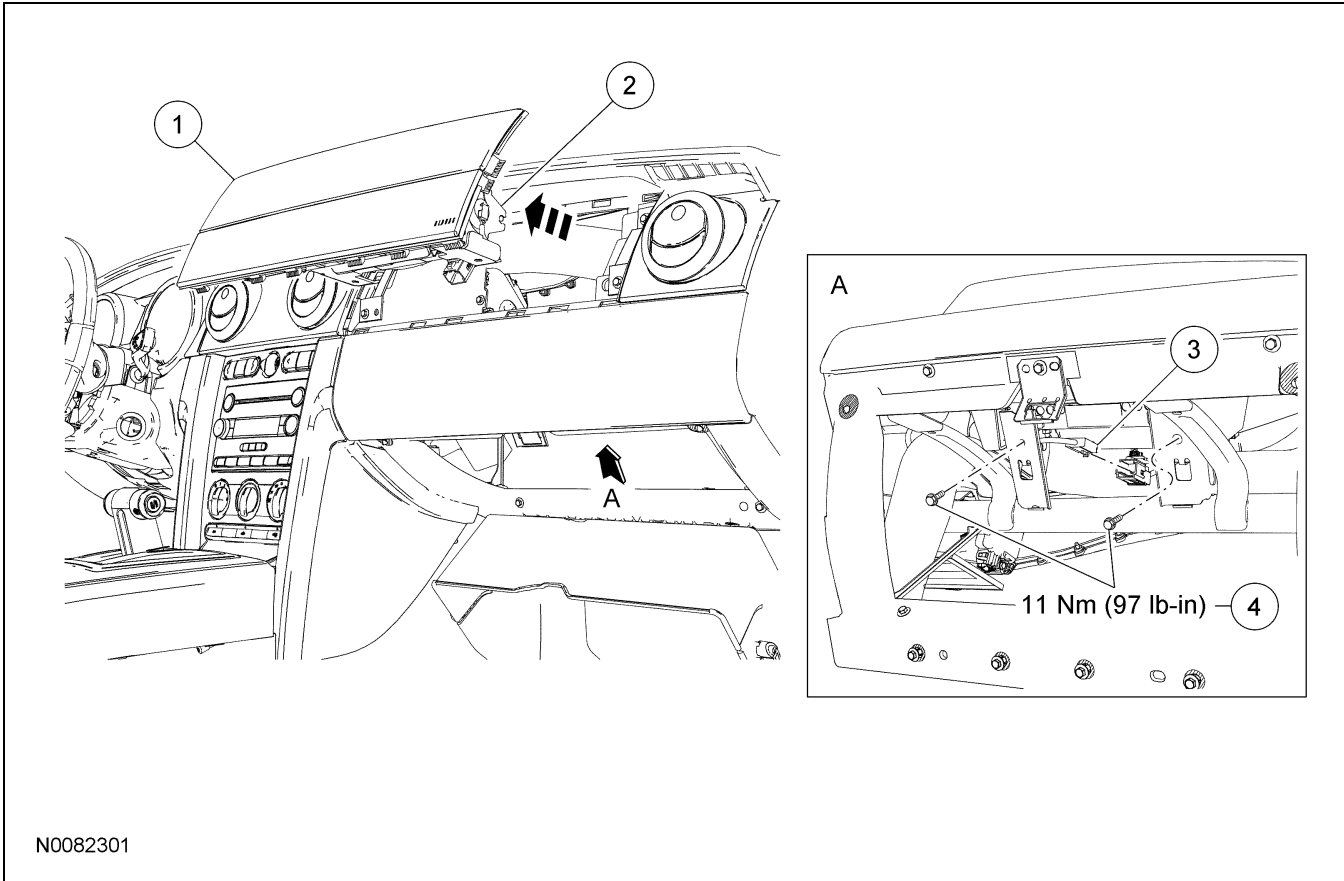


REMOVAL AND INSTALLATION

Passenger Air Bag Module



Item	Part Number	Description
1	A045G78	Passenger air bag module trim cover (part of kit)
2	044A74	Passenger air bag module
3	—	Passenger air bag module electrical connector (part of 14401)
4	W505252	Passenger air bag module bolts (2 required)

Removal and Installation

⚠ WARNING: Always carry or place a live air bag module with the air bag and deployment door/trim cover/tear seam pointed away from the body. Do not set a live air bag module down with the deployment door/trim cover/tear seam face down. Failure to follow these instructions may result in serious personal injury in the event of an accidental deployment.

⚠ WARNING: Never probe the electrical connectors on air bag, safety canopy or side air curtain modules. Failure to follow this instruction may result in the accidental deployment of these modules, which increases the risk of serious personal injury or death.

NOTE: The air bag warning indicator illuminates when the correct restraints control module (RCM) fuse is removed and the ignition switch is ON.

REMOVAL AND INSTALLATION (Continued)

NOTE: The supplemental restraint system (SRS) must be fully operational and free of faults before releasing the vehicle to the customer.

1. Depower the SRS. For additional information, refer to Supplemental Restraint System (SRS) Depowering and Repowering in the General Procedures portion of this section.
 2. Lower the glove compartment door and disconnect the passenger air bag module electrical connector.
 3. Remove the 2 air bag module bolts.
 - To install, tighten to 11 Nm (97 lb-in).
 4. Through the glove box opening, release the deployment door clips (6 upper, 6 lower and 2 on each side) from the instrument panel and then remove the passenger air bag module out of the instrument panel.
 5. **NOTE:** During air bag module installation, make sure all passenger air bag module trim cover clips are fully seated into the instrument panel.
To install, reverse the removal procedure.
 6. Repower the SRS. For additional information, refer to Supplemental Restraint System (SRS) Depowering and Repowering in the General Procedures portion of this section.
-