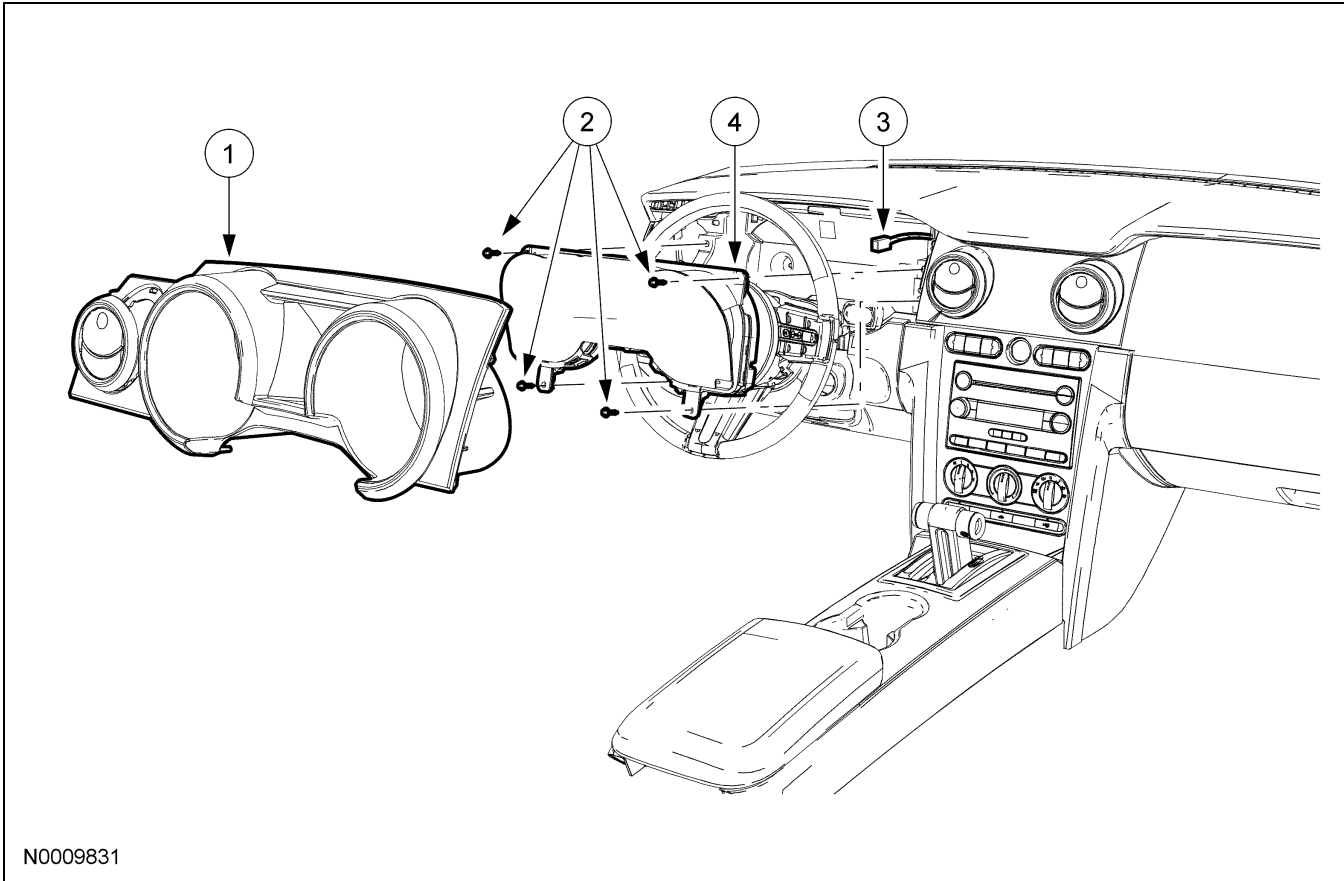


REMOVAL AND INSTALLATION

Instrument Cluster (IC)



Item	Part Number	Description
1	63044D70	Instrument cluster (IC) finish panel
2	W705314	Instrument cluster (IC) screws (4 required)
3	—	Instrument cluster (IC) electrical connector (part of 14401)
4	10849	Instrument cluster (IC)

Removal and Installation

- NOTE:** If installing a new instrument cluster (IC), it is necessary to upload the instrument cluster (IC) configuration information to the scan tool. For additional information, refer to Section 418-01.

Depower the supplemental restraint system (SRS). For additional information, refer to Section 501-20B.

- NOTE:** The instrument cluster (IC) finish panel is held in place with retaining clips that are attached to the bezel.
Remove the instrument cluster (IC) finish panel.
- Remove the 4 screws and the instrument cluster (IC).
 - Disconnect the electrical connector.
- To install, reverse the removal procedure.
 - If a new instrument cluster (IC) was installed, download the instrument cluster (IC) configuration information from the scan tool into the new instrument cluster (IC). For additional information, refer to Section 418-01.